



Z886-HDD-SW

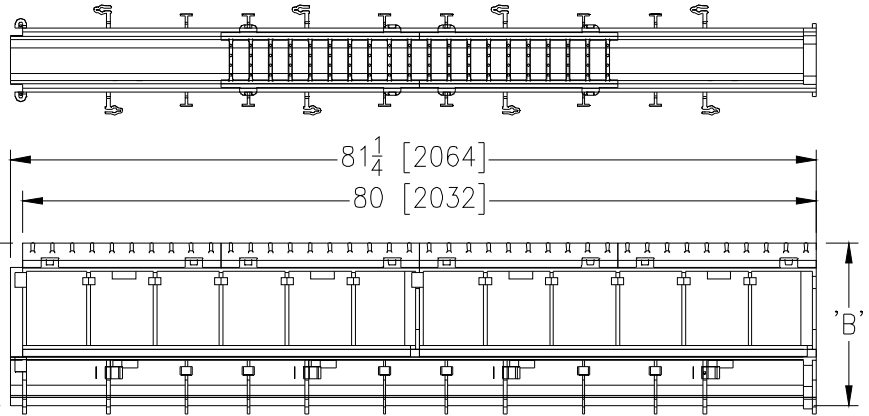
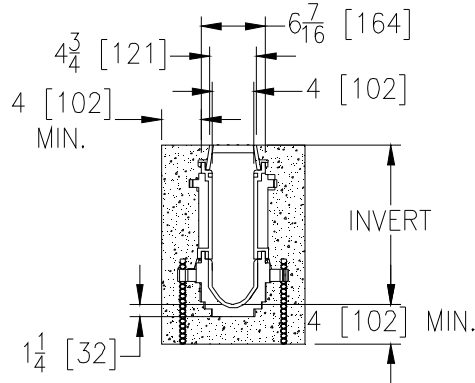
4 3/4 [121] WIDE REVEAL TRENCH DRAIN SYSTEM WITH DOMESTIC DUCTILE IRON GRATE AND 9 [229] SIDEWALL EXTENSIONS

SPECIFICATION SHEET

TAG _____

Dimensional Data (inches and [mm]) are Subject to Manufacturing Tolerances and Change Without Notice

SPECIFYING ENGINEER IS RESPONSIBLE FOR CONCRETE ENCASEMENT AND REINFORCING BASED UPON APPLICATION AND LOCAL CODES



NOTE: + Actual Channel length is 81 1/4 [2064] to allow for overlap.

ENGINEERING SPECIFICATION: Zurn Z886-HDD-SW Channels shall be 80 [2032] long, 4 3/4 [121] wide reveal and have a 4 [102] throat. Modular channel sections shall be made of 0% water absorbent High Density Polyethylene (HDPE). Shall have a positive mechanical connection between channel sections that will not separate during the installation and shall mechanically lock into the concrete surround a minimum of every 10 [254]. Channels shall weigh less than 2.31 lbs.[1.05kg] per linear foot, have a smooth, 1 1/2 [38] radiused self cleaning bottom with a Manning's coefficient of 0.009 and 0.75% or neutral 0% built in slope. Channels shall have rebar clips standard to secure trench in its final location. Channels shall have HDPE SW Side Walls attached for an additional 9 [229] added to the standard channel invert for additional flow capability shown in chart below. Shall be provided with standard HDD grates that lock into the concrete surround during installation and is intended for dynamic traffic loadings. Zurn 4 3/4 [121] wide reveal Highway Domestic Ductile Iron slotted grate conforming to ASTM specification A536-84, Grade 80-55-06. The un-coated ductile iron grate is rated class C per the DIN EN1433 top load classifications. Supplied in 20 [508] nominal lengths with 1 5/8 [41] wide slots, and 2 1/2 [64] bearing depth. Grate has an open area of 39.22 sq. in per ft. [83,016 sq. mm per meter]. System is Made in the USA.

PREFIX OPTIONS (Check/specify appropriate options)

___ Z Six-foot, Eight-inch High Density Polyethylene (HDPE)*

SUFFIX OPTIONS (Check/specify appropriate options)

Outlet Adapters Add/Each

- ___ -E1 Closed End Cap
- ___ -E2 2 [51] No-Hub End Outlet
- ___ -E3 3 [76] No-Hub End Outlet
- ___ -E4 4 [102] No-Hub End Outlet
- ___ -E6 6 [152] No-Hub End Outlet
- ___ -U2 2 [51] No-Hub Bottom Outlet
- ___ -U3 3 [76] No-Hub Bottom Outlet
- ___ -U4 4 [102] No-Hub Bottom Outlet
- ___ -U6 6 [152] No-Hub Bottom Outlet

Grate Options (Load Classifications are per DIN EN1433)

- ___ -GHDD Galvanized Highway Ductile Domestic Grate - Class C
- ___ -HR Ductile Iron Removable Grate/Frame System -H20/H25 - Class C

Miscellaneous Options

- ___ -JC Joint Connector

Trench No.	'A' Shallow Inv.	'B' Deep Inv.	Flow		
			(cfs)	(gpm)	(lps)
8601SW	14.22 [133]	14.82 [148]	1.25	563	35
8602SW	14.82 [133]	15.42 [163]	1.32	595	38
8603SW	15.42 [163]	16.02 [178]	1.40	627	40
8603NSW	16.02 [178]	16.02 [178]	-	-	-
8604SW	16.02 [178]	16.62 [194]	1.47	659	42
8605SW	16.62 [194]	17.22 [209]	1.54	691	44
8606SW	17.22 [209]	17.82 [224]	1.61	723	46
8606NSW	17.82 [224]	17.82 [224]	-	-	-
8607SW	17.82 [224]	18.42 [239]	1.68	755	48
8608SW	18.42 [239]	19.02 [255]	1.75	788	50
8609SW	19.02 [255]	19.62 [270]	1.83	820	52
8610SW	19.62 [270]	20.22 [285]	1.90	852	54
8611SW	20.22 [285]	20.82 [300]	1.97	884	56
8612SW	20.82 [300]	21.42 [315]	2.04	916	58
8612NSW	21.42 [315]	21.42 [315]	-	-	-
8613SW	21.42 [315]	22.02 [331]	2.11	949	60
8614SW	22.02 [331]	22.62 [346]	2.19	981	62
8615SW	22.62 [346]	23.22 [361]	2.26	1013	64

*REGULARLY FURNISHED UNLESS OTHERWISE SPECIFIED

REV. A DATE: 2/24/11 C.N. NO. 111587
 DWG. NO. 94242 PRODUCT NO. Z886-HDD-SW

ZURN INDUSTRIES, LLC ♦ SPECIFICATION DRAINAGE OPERATION ♦ 1801 Pittsburgh Ave. ♦ Erie, PA 16514

Phone: 814455-0921 ♦ Fax: 814454-7929 ♦ World Wide Web: www.zurn.com

In Canada: ZURN INDUSTRIES LIMITED ♦ 3544 Nashua Drive ♦ Mississauga, Ontario L4V1L2 ♦ Phone: 905405-8272 Fax: 905405-1292