



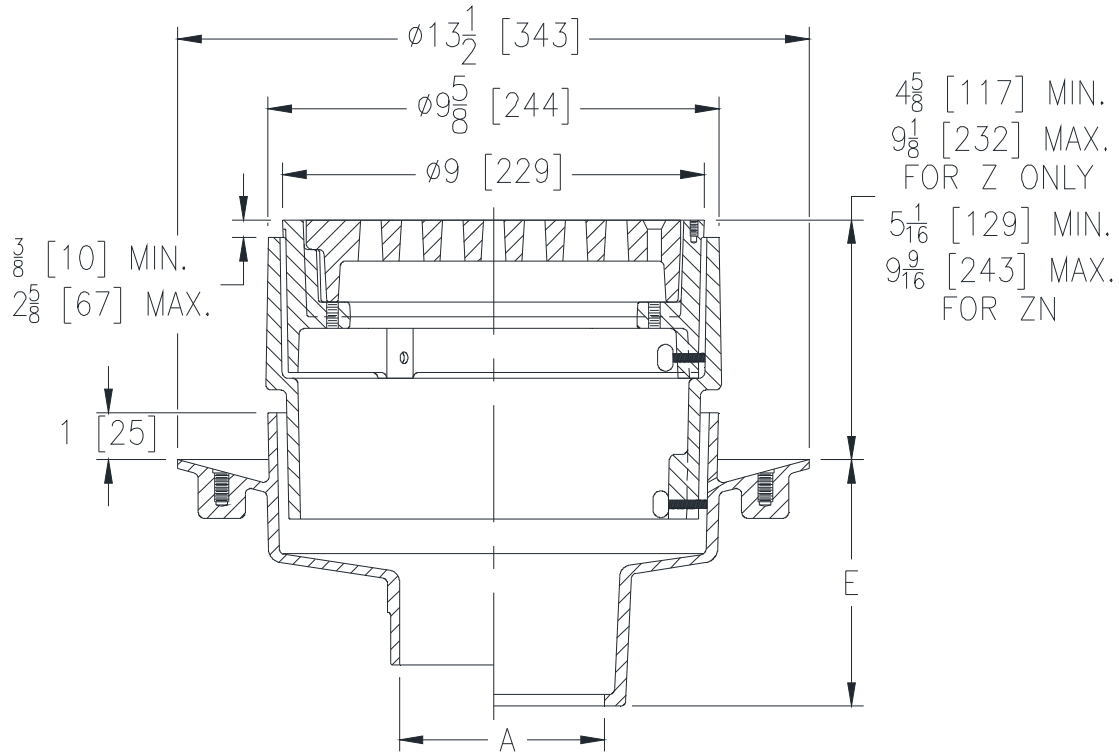
Z520-F

9 [229] DIAMETER ADJUSTABLE HEAVY-DUTY DRAIN W/ EXTENSION FRAME

SPECIFICATION SHEET

TAG _____

Dimensional Data (inches and [mm]) are Subject to Manufacturing Tolerances and Change Without Notice



A- Pipe Size In.[mm]	Approx. Wt. Lbs. [kg]	Grate Open Area Sq. In. [cm ²]
2,3,4 [51,76,102]	53 [24]	18 [116]
6 [152]	58 [26]	

ENGINEERING SPECIFICATION: ZURN Z520-F

9" [229mm] Diameter top drain, Dura-Coated cast iron body with bottom outlet, seepage pan and adjustable extension frames with heavy-duty cast iron deep flange slotted grate.

OPTIONS (Check/specify appropriate options)

PIPE SIZE

- 2,3,4 [51,76,102]
- 2,3,4,6 [51,76,102,152]
- 2,3,4 [51,76,102]

(Specify size/type) OUTLET

- ___ IP Threaded
- ___ NH No-Hub
- ___ NL Neo-Loc

'E' DIM.

- 3-1/2 [89]
- 4-1/4 [108]
- 4-3/8 [111]

PREFIXES

- ___ Z D.C.C.I. Body and Top*
- ___ ZN D.C.C.I. Body with Polished Nickel Bronze Top (Add 5/8 [16] to 9 [229] Dim.)

SUFFIXES

- | | |
|---|--|
| ___ -C Clamping Collar | ___ -TC Neo-Loc Test Cap Gasket
(2,3,4 [51,76,102] NL Bottom Outlet Only) |
| ___ -DG Duresist Grate | ___ -TS Top Secured with Slotted Screws |
| ___ -G Galvanized Cast Iron | ___ -V Backwater Valve (See Z1099) |
| ___ -HP Heel-Proof Grate | ___ -VP Vandal-Proof Secured Top |
| ___ -P Trap Primer Connection | ___ -Y Sediment Bucket |
| ___ -S Secondary Strainer | ___ -90 90° Side Outlet (See Z1042) |
| ___ -SS Stainless Mesh Liner for Bucket | |
| ___ -T Square Top | |

* Regularly furnished unless otherwise specified.