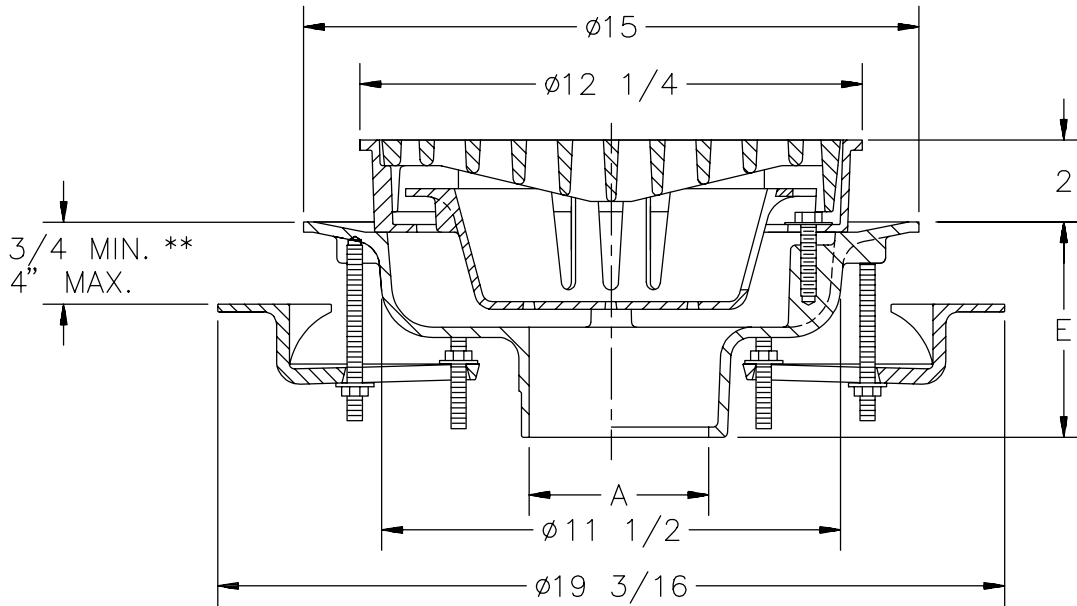




**Z-541-99**  
**12" DIAMETER HEAVY DUTY DRAIN**

**TAG:** \_\_\_\_\_

Dimensional Data (inches and [ mm ]) are Subject to Manufacturing Tolerances and Change Without Notice



A- Pipe Size In.	Approx. Wt. Lbs.	Grate Open Area Sq. In.
2-3-4-5-6	52	50
8-10	54	

**ENGINEERING SPECIFICATION:** ZURN Z-541-99 12" Diameter top drain. Dura-Coated cast iron body with bottom outlet, seepage pan and combination membrane flashing clamp and frame for anti-tilt heavy duty slotted grate with suspended sediment bucket.

**OPTIONS** (Check/specify appropriate options)

**OUTLET** (Specify type)

- \_\_\_\_\_ **IC** Inside Caulk
- \_\_\_\_\_ **IG** Inside Caulk w/Sealtrol Gskt.
- \_\_\_\_\_ **IP** Threaded
- \_\_\_\_\_ **NH** No-Hub
- \_\_\_\_\_ **NL** Neo-Loc
- \_\_\_\_\_ **NL** Neo-Loc

**PIPE SIZE** (Specify size)

- \_\_\_\_\_ 2" thru 6", 8", 10"
- \_\_\_\_\_ 2", 3", 4", 6"
- \_\_\_\_\_ 2" thru 6", 8", 10"
- \_\_\_\_\_ 2" thru 6", 8", 10"
- \_\_\_\_\_ 2" thru 4"
- \_\_\_\_\_ 5", 6"

**'E' BODY HT. DIMENSION**

- \_\_\_\_\_ 5-1/4"
- \_\_\_\_\_ 5-1/4"
- \_\_\_\_\_ 3-3/4"
- \_\_\_\_\_ 5-1/4"
- \_\_\_\_\_ 4-5/8"
- \_\_\_\_\_ 5-1/2"

**PREFIXES**

- \_\_\_\_\_ **Z-** D.C.C.I. Body and Grate\*
- \_\_\_\_\_ **ZB-** D.C.C.I. Body with Polished Bronze Grate (Add 3/16" to 2" Dim.)
- \_\_\_\_\_ **ZN-** D.C.C.I. Body with Polished Nickel Bronze Grate (Add 3/16" to 2" Dim.)

**SUFFIXES**

- \_\_\_\_\_ **-DG** Duresist Grate
- \_\_\_\_\_ **-DX** Dex-o-tex Flange (See Z-532)
- \_\_\_\_\_ **-G** Galvanized Cast Iron
- \_\_\_\_\_ **-LY** (Less) Bucket
- \_\_\_\_\_ **-P** Trap Primer Connection
- \_\_\_\_\_ **-S** Secondary Strainer
- \_\_\_\_\_ **-SS** Stainless Mesh Liner for Bucket
- \_\_\_\_\_ **-V** Backwater Valve (See Z-1099)
- \_\_\_\_\_ **-VP** Vandal Proof Secured Top
- \_\_\_\_\_ **-90** 90° Threaded Side Outlet Body (2" thru 6")

\*REGULARLY FURNISHED UNLESS OTHERWISE SPECIFIED

<b>REV.</b>	<b>DATE: 7/22/94</b>	<b>C.N. NO. 69905</b>
<b>DWG. NO. P-14009 PRODUCT NO. Z-541-99</b>		

ZURN INDUSTRIES, INC. ♦ SPECIFICATION DRAINAGE OPERATION ♦ 1801 Pittsburgh Ave. ♦ Erie, PA 16514

Phone: 814/455-0921 ♦ Fax: 814/454-7929 ♦ World Wide Web: www.zurn.com

In Canada: ZURN INDUSTRIES LIMITED ♦ 3544 Nashua Drive ♦ Mississauga, Ontario L4V1L2 ♦ Phone: 905/405-8272 Fax: 905/405-1292