

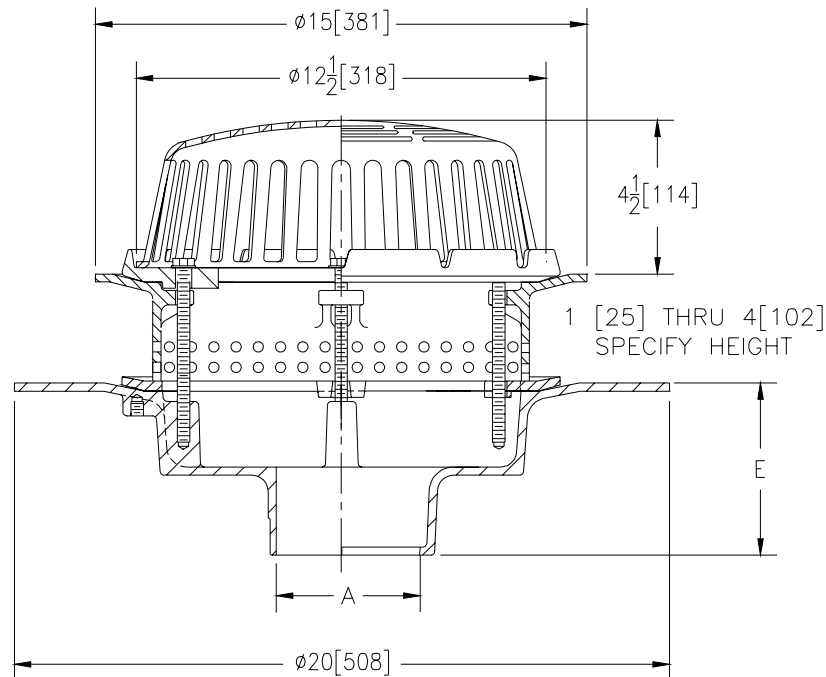


Z-107-90
20" [508] WIDE DECK FLANGE
ROOF DRAIN

SPECIFICATION SHEET

TAG _____

Dimensional Data (inches and [mm]) are Subject to Manufacturing Tolerances and Change Without Notice



A- Pipe Size In.	Approx. Wt. Lbs. [kg]	Dome Open Area Sq. In. [cm ²]
3-4 [75-100]	39 [18]	103 [665]
6-8 [150-200]		

ENGINEERING SPECIFICATION: ZURN Z-107-90 20[508] Diameter wide deck flange roof drain. Dura-Coated cast iron with combination membrane flashing clamp/gravel guard, static extension with (2) rows of 1/4 [6] dia. holes, secondary clamp collar and low silhouette Poly-Dome.

OPTIONS (Check/specify appropriate options)

PIPE SIZE

3,4,6 [75,100,150]
 3,4,6,8 [75,100,150,200]

(Specify size/type) **OUTLET**

_____ IC Inside Caulk
 _____ NH No-Hub

E BODY HT. DIM.

5 1/4 [133]
 5 1/4 [133]

PREFIXES

- ___ Z- D.C.C.I. Body with Poly-Dome*
- ___ ZA- D.C.C.I. Body with Aluminum Dome
- ___ ZC- D.C.C.I. Body with Cast Iron Dome
- ___ ZRB- D.C.C.I. Body with Plain Bronze Dome

SUFFIXES

- | | |
|---|---|
| ___ -AC Angular Underdeck Clamp | ___ -VP Vandal Proof Secured Top |
| ___ -AR Acid Resistant Epoxy Coated Finish | ___ -W2 2 [51] Internal Water Dam |
| ___ -AW 3/4 [19] to 4 [102] Adjustable Water Level Regulator | ___ -W3 3 [76] Internal Water Dam |
| ___ -BS Bronze Mesh Screen Over Dome | ___ -W4 4 [102] Internal Water Dam |
| ___ -C Underdeck Clamp | ___ -XJ Vertical Expansion Joint (See Z-190) |
| ___ -EA Adjustable Extension Assembly
1 3/4 [44] thru 3 1/2 [89] | ___ -84 Stainless Steel Perforated Gravel Guard |
| ___ -FG Flush Grate | ___ -85 Stainless Steel Perforated Extension |
| ___ -G Galvanized Cast Iron | ___ -89 2 [51] High External Water Dam |
| ___ -GD Galvanized Cast Iron Dome | |
| ___ -HD High Dome | |
| ___ -SS Stainless Steel Mesh Screen Over Dome | |

*REGULARLY FURNISHED UNLESS OTHERWISE SPECIFIED

REV. DATE: 3/27/97 C.N. NO. 77720

DWG. NO. P-14453 PRODUCT NO. Z-107-90