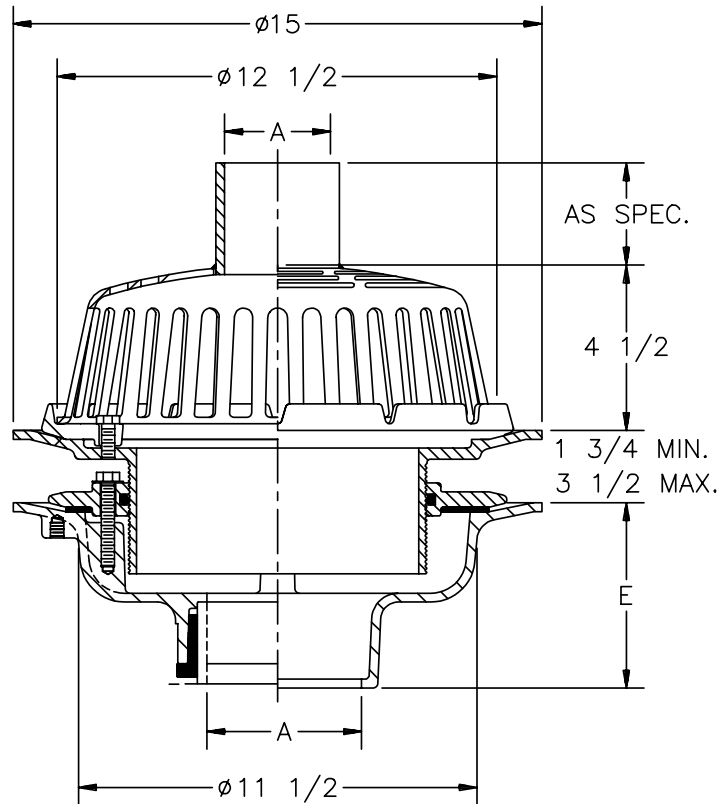




Z-100-110 15" DIAMETER MAIN ROOF DRAIN

TAG _____

Dimensions Subject to Manufacturing Tolerances



A- Pipe Size In.	Approx. Wt. Lbs.	Dome Open Area Sq. In.
2-3-4-5-6	48	103
6-10	49	

ENGINEERING SPECIFICATION: ZURN Z-100-110 15" Diameter roof drain. Dura-Coated cast iron body with combination membrane flashing clamp/gravel guard, adjustable extension assembly, low silhouette cast iron dome, and standpipe.

OPTIONS (Check/specify appropriate options)

OUTLET (Specify type)

- _____ **IC** Inside Caulk
- _____ **IG** Inside Caulk w/Sealtrol Gskt.
- _____ **IP** Threaded
- _____ **NH** No-Hub
- _____ **NL** Neo-Loc

PIPE SIZE (Specify size)

- _____ 2" thru 6", 8", 10"
- _____ 2" thru 4", 6"
- _____ 2" thru 6", 8", 10"
- _____ 2" thru 6", 8", 10"
- _____ 2" thru 4"

'E' BODY HT. DIMENSION

- 5-1/4"
- 5-1/4"
- 3-3/4"
- 5-1/4"
- 4-5/8"

PREFIXES

- _____ **ZA-** D.C.C.I. Body with Aluminum Dome
- _____ **ZC-** D.C.C.I. Body with Cast Iron Dome*
- _____ **ZRB-** D.C.C.I. Body with Plain Bronze Dome

SUFFIXES

- _____ **-AC** Angular Underdeck Clamp
- _____ **-AW** 3/4" to 4" Adjustable Water Level Regulator
- _____ **-C** Underdeck Clamp
- _____ **-DX** Dex-o-tex Flange
- _____ **-E** Static Extension 1" thru 4" (Specify Height)
- _____ **-G** Galvanized Cast Iron
- _____ **-GD** Galvanized Cast Iron Dome
- _____ **-R** Roof Sump Receiver
- _____ **-S** Secondary Clamp Collar
- _____ **-SS** Stainless Mesh Screen Over Dome
- _____ **-VP** Vandal Proof Secured Dome
- _____ **-XJ** Vertical Expansion Joint (See Z-190)
- _____ **-84** Stainless Steel Perforated Gravel Guard
- _____ **-85** Stainless Steel Perforated Extension
- _____ **-89** 2" High External Water Dam
- _____ **-90** 90° Threaded Side Outlet Body (Previously Z-115)

*REGULARLY FURNISHED UNLESS OTHERWISE SPECIFIED

REV.	DATE: 10/5/92	C.N. NO. 68600
DWG. NO. P-13752 PRODUCT NO. Z-100-110		

ZURN INDUSTRIES, INC. ♦ SPECIFICATION DRAINAGE OPERATION ♦ 1801 Pittsburgh Ave. ♦ Erie, PA 16514

Phone: 814/455-0921 ♦ Fax: 814/454-7929 ♦ World Wide Web: www.zurn.com

In Canada: ZURN INDUSTRIES LIMITED ♦ 3544 Nashua Drive ♦ Mississauga, Ontario L4V1L2 ♦ Phone: 905/405-8272 Fax: 905/405-1292