



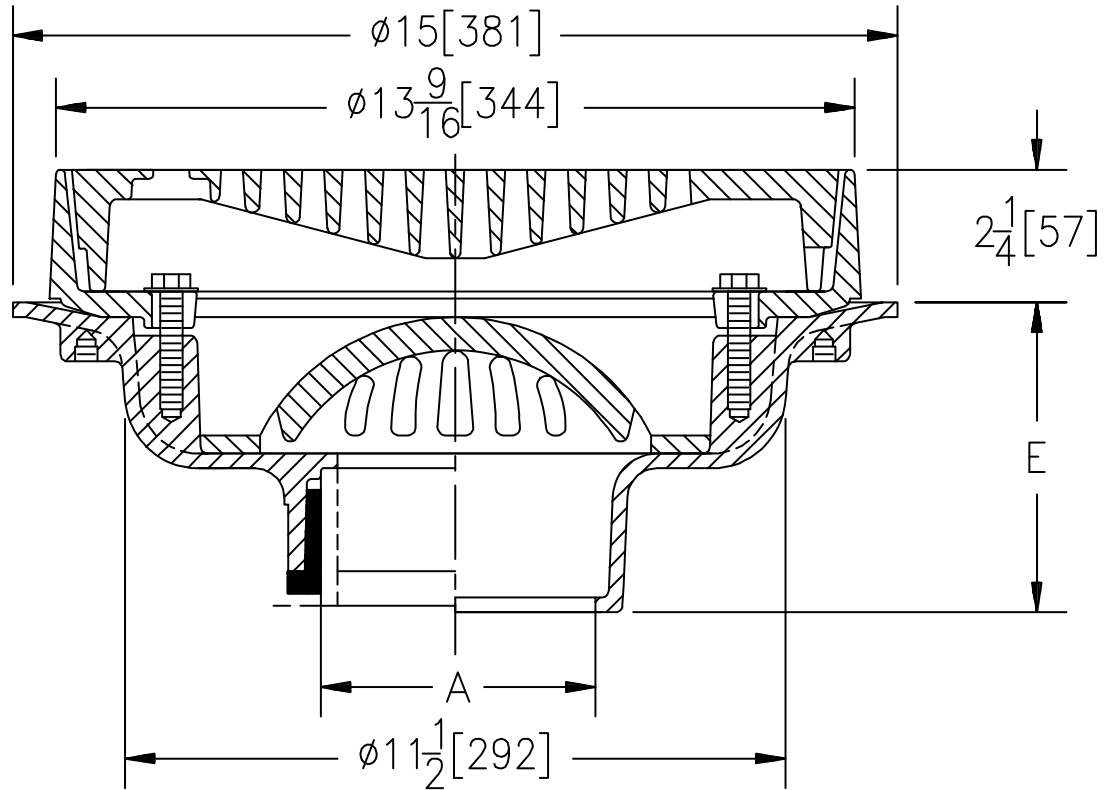
# Z108-FG

## 15 [381] DIAMETER DECK RECEPTOR W/ FLUSH GRATE

SPECIFICATION SHEET

TAG \_\_\_\_\_

Dimensional Data (inches and [ mm ]) are Subject to Manufacturing Tolerances and Change Without Notice



A Pipe Size in [mm]	Approx Wt. lbs [kg]	Grate Open Area Sq. In. [cm <sup>2</sup> ]
2,3,4 [51,76,102]	41 [19]	32 [206]
6 [152]	39 [18]	
8 [203]	42 [19]	

### ENGINEERING SPECIFICATION: ZURN Z108-FG

15" [381mm] Diameter roof drain, Dura-Coated cast iron body with combination membrane flashing clamp, deck receptor frame, flush grate and internal bottom dome strainer.

### OPTIONS (Check/specify appropriate options)

#### PIPE SIZE

- 3,4,6 [76,102,152]
- 2,3,4,6,8 [51,76,102,152,203]
- 2,3,4,6,8 [51,76,102,152,203]
- 2,3,4 [51,76,102]

#### (Specify size/type) OUTLET

- \_\_\_\_\_ IC Inside Caulk
- \_\_\_\_\_ IP Threaded
- \_\_\_\_\_ NH No-Hub
- \_\_\_\_\_ NL Neo-Loc

#### E BODY HT. DIM.

- 5-1/4 [133]
- 3-3/4 [95]
- 5-1/4 [133]
- 4-5/8 [117]

#### PREFIXES

- \_\_\_\_\_ Z D.C.C.I. Body with Grate\*

#### SUFFIXES

- |   |   |
|---|---|
| _____ -AR Acid Resistant Epoxy Coated                                 | _____ -G Galvanized Cast Iron   |
| _____ -C Underdeck Clamp  | _____ -R Roof Sump Receiver   |
| _____ -DE Deck Extension (Includes Deck Plate -DP)                    | _____ -TC Neo-Loc Test Cap Gasket<br>(2,3,4 [51,76,102] NL Outlet Only) |
| _____ -DP Top-Set® Roof Deck Plate<br>(Replaces both -C and -R)       |   |
| _____ -E Static Extension 1 [25] thru 4 [102] (Specify Ht.)           |   |
| _____ -EA Adjustable Extension Assembly<br>2-1/8 [54] thru 3-1/2 [89] |   |

\* Regularly furnished unless otherwise specified.