



Z100-308

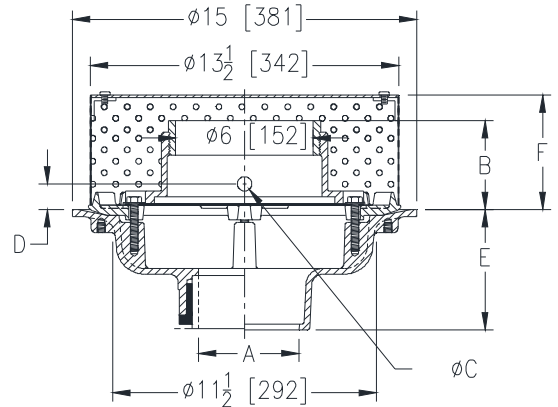
15 [381] DIAMETER MAIN ROOF DRAIN W/ FLOW CONTROLLING WATER DAM AND STAINLESS STEEL PERFORATED GRAVEL GUARD

SPECIFICATION SHEET

TAG _____

Dimensional Data (inches and [mm]) are Subject to Manufacturing Tolerances and Change Without Notice

	# HOLES	Dimension in Inches [mm]			
		B	C	D	F
RD-1	1	3.73 [94.74]	.912 [23.16]	1.268 [32.21]	5 [127]
RD-2	1	3.53 [89.66]	.929 [23.60]	1.277 [32.44]	5 [127]
RD-3	1	3.69 [93.73]	.916 [23.27]	1.270 [32.26]	5 [127]
RD-4	1	4.00 [101.60]	.892 [22.66]	1.258 [31.95]	5 [127]
RD-5	1	5.70 [144.78]	.802 [20.37]	1.213 [30.81]	6-1/2 [165]
RD-6	1	3.00 [76.20]	.981 [24.92]	1.303 [33.10]	5 [127]
RD-7	1	3.06 [77.72]	.947 [24.05]	1.300 [33.02]	5 [127]
RD-8	1	3.18 [80.77]	.962 [24.43]	1.293 [32.84]	5 [127]
RD-9	1	3.29 [83.57]	.951 [24.15]	1.288 [32.71]	5 [127]
RD-10	1	3.30 [83.82]	.902 [22.91]	1.263 [32.08]	5 [127]
RD-11	1	3.71 [94.23]	.874 [22.20]	1.250 [31.75]	5 [127]
RD-12	1	3.82 [97.03]	.866 [22.00]	1.245 [31.62]	5 [127]
RD-13	1	3.87 [98.30]	.866 [22.00]	1.245 [31.62]	5 [127]



A Pipe Size In. [mm]	Approx. Wt. Lbs. [kg]	GPM [LPM]
2,3,4 [51,76,102]	36 [16]	5.0 [18.9]
5,6 [127,152]	37 [17]	5.0 [18.9]
8 [203]	38 [18]	5.0 [18.9]

ENGINEERING SPECIFICATION: ZURN Z100-308

15" [381mm] Diameter roof drain. Dura-Coated cast iron body with combination membrane flashing clamp/gravel guard, gasketed flow control water dam with orifice, 6" [152mm] diameter standpipe and stainless steel perforated gravel guard with solid secured top.

OPTIONS (Check/specify appropriate options)

PIPE SIZE

- 2,3,4,5,6,8 [51,76,102,127,152,203]
- 2,3,4,5,6,8 [51,76,102,127,152,203]
- 2,3,4,5,6,8 [51,76,102,127,152,203]
- 2,3,4 [51,76,102]
- 6 [152]

(Specify size/type) OUTLET

- ___ IC Inside Caulk
- ___ IP Threaded
- ___ NH No-Hub
- ___ NL Neo-Loc
- ___ NL Neo-Loc

E BODY HT. DIM.

- 5-1/4 [133]
- 3-3/4 [95]
- 5-1/4 [133]
- 4-9/16 [116]
- 5-7/16 [112]

PREFIXES

- ___ Z D.C.C.I. Body

SUFFIXES

- ___ -AC Angular Underdeck Clamp
- ___ -AR Acid Resistant Epoxy Coated
- ___ -C Underdeck Clamp
- ___ -DE Deck Extension
- ___ -DP Top-Set® Deck Plate (Replaces both the -C and -R)
- ___ -DR Top-Set® Drain Riser
- ___ -DX Dex-o-tex Flange
- ___ -E Static Extension 1 [25] thru 4 [102] (Specify Ht.)
- ___ -EA Adjustable Extension Assembly (2-1/8 [54] thru 3-1/2 [89])

- ___ -EB Top-Set® Adjustable Extension Assembly
- ___ -G Galvanized Cast Iron
- ___ -R Roof Sump Receiver
- ___ -SC Secondary Clamp Collar
- ___ -TC Neo-Loc Test cap gasket (2, 3, 4 [51, 76, 102]) NL Bottom Outlet Only)
- ___ -VP Vandal-Proof Secured Top
- ___ -90 90° Threaded Side Outlet Body (2, 3, 4, 5, 6 [51, 76, 101, 126, 151])

* Regularly furnished unless otherwise specified.

Zurn Industries, LLC | Specification Drainage Operation
 1801 Pittsburgh Avenue, Erie, PA U.S.A. 16502 · Ph. 855-663-9876, Fax 814-454-7929
 In Canada | Zurn Industries Limited
 3544 Nashua Drive, Mississauga, Ontario L4V 1L2 · Ph. 905-405-8272, Fax 905-405-1292
www.zurn.com

Rev. -
 Date: 11/13/15
 C.N. No. 133483
 Prod. | Dwg. No. Z100-308