



Z899-EO

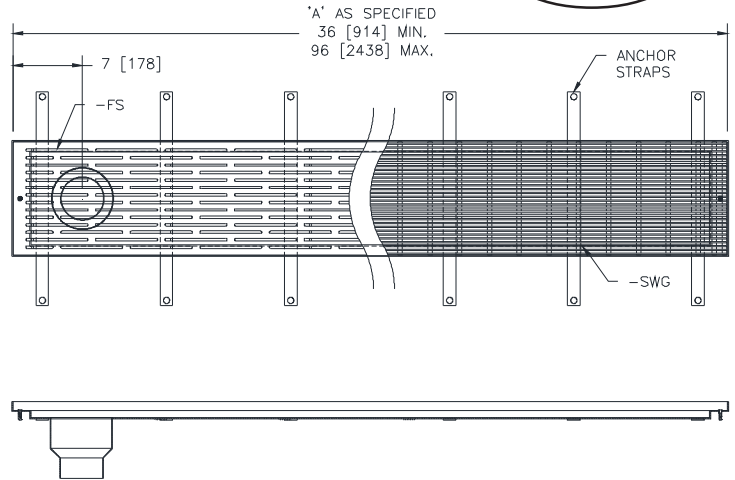
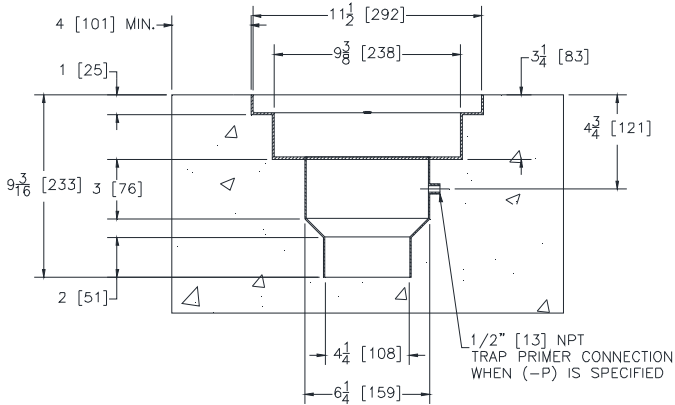
ELEVATOR TRENCH DRAIN SYSTEM WITH END OUTLET

SPECIFICATION SHEET

TAG _____

Dimensional Data (inches and [mm]) are Subject to Manufacturing Tolerances and Change Without Notice

**PAT. NO.
D787028**



Specify Drain Length ('A' length to be specified by customer)	
A	

ENGINEERING SPECIFICATION: ZURN Z899-EO

Overall channel width shall be 11-1/2" [292mm] and have an 9-3/8" [238mm] throat. Channels are made of #12 ga. fabricated stainless steel conforming to ASTM A-240 (type 304) and will include anchoring straps. The outlet on each channel will be located 6" [152mm] from the end of the channel. Channel to be provided with custom -SWG stainless steel wire grate, conforming to ASTM A-240 (type 304), that locks down to the channel with vandal-proof flathead machine screws. This grate is rated for Class A per the DIN EN1433 top load classification, complies with both ADA and Heel-Proof requirements, and has an open area of 64.9 sq. in/ft. [1373.7 sq. cm/m]. Optional -FS fabricated slotted grate has an open area of 35.91 sq. in/ft [760.1 sq. cm/m] and also complies with ADA and Heel-Proof requirements. This system has been designed to comply with SFFC Code, Section 511.1 for a 100 GPM flow rate. (Replaces Z895-94)

Note: Minimum Dimensional requirements must be met to satisfy 100 GPM flow rate specification.

Prefix Options (Check/specify appropriate options)

Z Type 304 Stainless Steel*

Grate Options

- FS Fabricated Stainless Steel Slotted Grate (open area = 35.9 sq-in / linear foot)
- SWG Stainless Wire Grate* (open area = 64.9 sq-in / linear foot)*

Suffix Options (Check/specify appropriate options)

- 4NH 6 [152] to 4 [102] Custom Tapered No-Hub Bottom Outlet*
- 6NH 6 [152] No-Hub Bottom Outlet

Miscellaneous Options

- DX DX Flange
- P 1/2 [13] Trap Primer Connection
- LAS Less Anchor Straps

* Regularly furnished unless otherwise specified.

Zurn Industries, LLC | Specification Drainage Operation
 1801 Pittsburgh Avenue, Erie, PA U.S.A. 16502 · Ph. 855-663-9876, Fax 814-454-7929
 In Canada | Zurn Industries Limited
 3544 Nashua Drive, Mississauga, Ontario L4V 1L2 · Ph. 905-405-8272, Fax 905-405-1292
www.zurn.com

Rev. A
 Date: 06/30/2017
 C.N. No. 137238
 Prod. | Dwg. No. Z899-EO