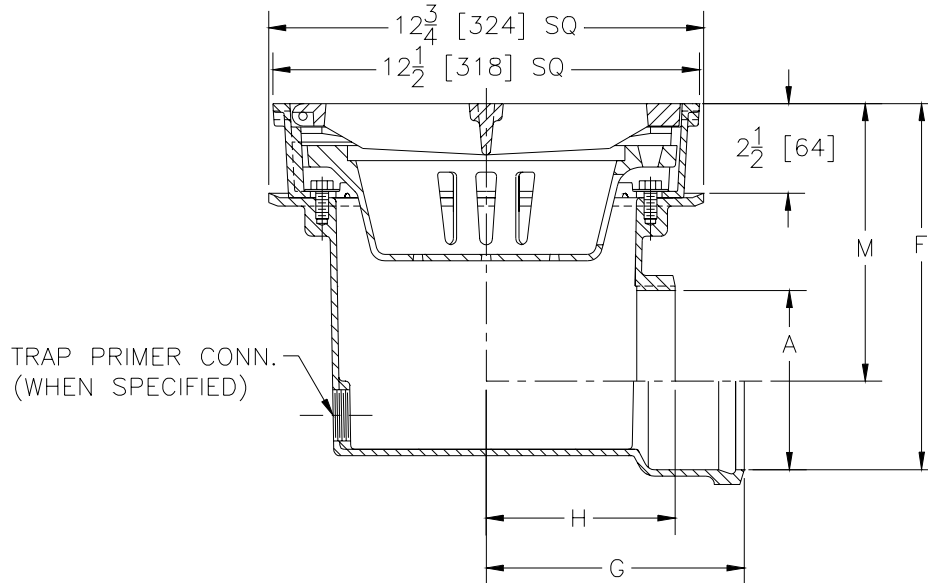




Z-610-98
12" [305] HEAVY DUTY DRAIN

TAG _____

Dimensional Data (inches and [mm]) are Subject to Manufacturing Tolerances and Change Without Notice



A Pipe Size In.	F	G	H	M	Approx. Wt. Lbs. [kg]	Grate Open Area Sq. In. [cm ²]
3 [75]	10 [254]	7 3/8 [187]	5 3/8 [137]	9 1/4 [235]	70 [32]	40 [258]
4 [100]	11 [279]	7 5/8 [194]	5 5/8 [143]	8 3/4 [222]		
5 [125]	11 [279]	7 5/8 [194]	5 5/8 [143]	8 1/4 [210]	72 [33]	
6 [150]	11 [279]	8 [203]	5 5/8 [143]	7 3/4 [197]		

ENGINEERING SPECIFICATION: ZURN Z-610-98 12[305] Square top drain. Dura-Coated cast iron deep sump body with side outlet, seepage pan and combination membrane flashing clamp and frame for heavy duty cast iron hinged slotted grate with suspended sediment bucket.

OPTIONS (Check/specify appropriate options)

PIPE SIZE

(Specify size/type) **OUTLET**

2 thru 6, 10 [50 thru 150, 250]
 2 thru 6, 10 [50 thru 150, 250]

_____ IC Inside Caulk
 _____ IP Threaded

PREFIXES

- _____ Z- D.C.C.I. Body and Top*
- _____ ZB- D.C.C.I. Body with Polished Bronze Top (Add 3/16 [5] to 2 [51] Dim.)
- _____ ZN- D.C.C.I. Body with Polished Nickel Bronze Top (Add 3/16 [5] to 2 [51] Dim.)

SUFFIXES

- _____ -AR Acid Resistant Epoxy Coated Cast Iron
- _____ -DG Duresist Grate
- _____ -DX Dex-o-tex Flange (ZB, ZN only)
- _____ -F 2" Extension
- _____ -G Galvanized Cast Iron
- _____ -HL Hinged Locking Grate
- _____ -LY Less Sediment Bucket
- _____ -P Trap Primer Connection
- _____ -SC Solid Cover
- _____ -SS Stainless Steel Mesh Liner For Bucket
- _____ -TS Top Secured with Slotted Screws
- _____ -V Backwater Valve (See Z-1099)
- _____ -VP Vandal Proof Secured Top
- _____ -YA Aluminum Sediment Bucket

*REGULARLY FURNISHED UNLESS OTHERWISE SPECIFIED

REV.	DATE: 9/1/00	C.N. NO. 85843
DWG. NO. P-14793 PRODUCT NO. Z-610-98		