

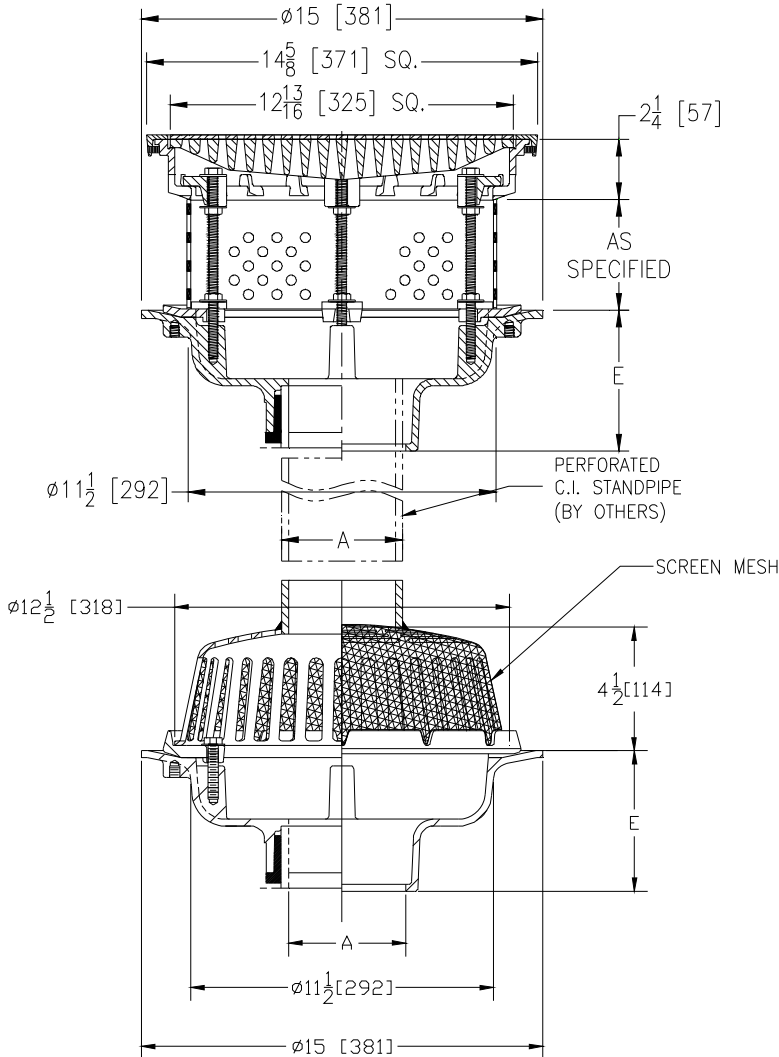


Z100-267

TAG _____

15 [381] DIAMETER ROOF DRAIN WITH 14 [356] TOP PROM-DECK DRAIN AND PERFORATED EXTENSION

Dimensions Subject to Manufacturing Tolerances



A- Pipe Size In.	Approx. Wt. Lbs. [kg]	Grate Open Area Sq. In. [cm ²]	Dome Open Area Sq. In. [cm ²]
2-3-4 [50-75-100]	77 [35]	44 [284]	103 [665]
5-6 [125-150]	79 [36]		

ENGINEERING SPECIFICATION: ZURN Z100-267
 15 [381] Diameter Roof Drain, Dura-Coated cast iron body, combination membrane flashing clamp/gravel guard, low silhouette cast iron dome with pipe coupling and stainless steel mesh screen. Upper body consists of a Z150 14 [356] Top Prom-Deck drain with Dura-Coated cast iron body, perforated extension, Rotatable Square promenade frame with seepage openings and heavy duty heel-proof grate with polished bronze veneer.

OPTIONS (Check/specify appropriate options)

PIPE SIZE

- 2 thru 6 [51 thru 152]
- 2 thru 6 [51 thru 152]
- 2 thru 6 [51 thru 152]
- 2,3,4 [51,76,102]
- 6 [152]

(Specify size/type) **OUTLET**

- _____ IC Inside Caulk
- _____ IP Threaded
- _____ NH No-Hub
- _____ NL Neo-Loc
- _____ NL Neo-Loc

E BODY HT. DIM.

- 5 1/4 [133]
- 3 3/4 [95]
- 5 1/4 [133]
- 4 9/16 [116]
- 5 7/16 [112]

PREFIXES

- _____ **ZB** D.C.C.I. Body with Polished Bronze Top*
- _____ **ZN** D.C.C.I. Body with Polished Nickel Bronze Top

*REGULARLY FURNISHED UNLESS OTHERWISE SPECIFIED

REV.	DATE: 06/04/13	C.N. NO. 129471
PROD./DWG. NO. Z100-267		