



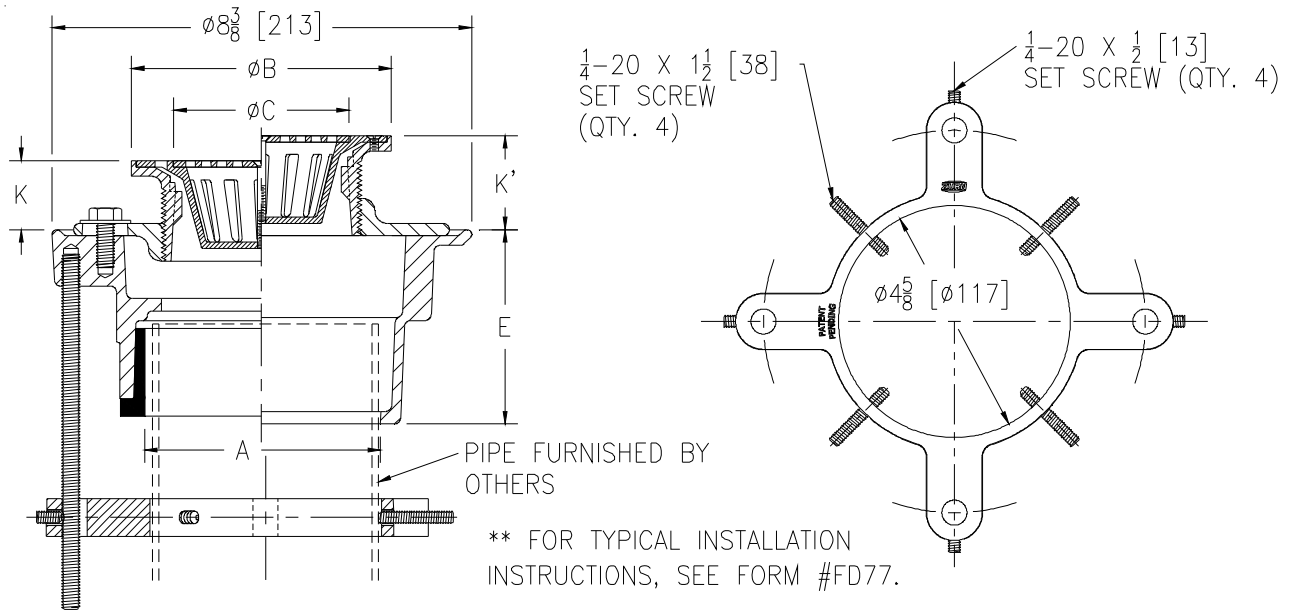
Z415M-SR

BODY ASSEMBLY W/ "TYPE M" STRAINER, "SUR-SET"
BUCKET AND STABILIZER RING

SPECIFICATION SHEET

TAG _____

Dimensional Data (inches and [mm]) are Subject to Manufacturing Tolerances and Change Without Notice



Dimensions in In [mm]								Approx. Wt. Lbs. [kg]	Strainer Open Area Sq. In. [cm ²]
Strainer Desig.	A-Pipe Size	B Strainer Dia.	C	K		K'			
				Min.	Max.	Min.	Max.		
-5M	2,3,4 [51,76,102]	5 [127]	3-1/2 [89]	7/8 [22]	1-5/8 [41]	1-3/16 [30]	2-3/8 [60]	13 [6]	4-1/2 [29]

ENGINEERING SPECIFICATION: ZURNZN415M-SR

Floor and shower drain, Dura-Coated cast iron body with bottom outlet, combination invertible membrane clamp and adjustable collar with seepage slots and "TYPE M" polished nickel bronze strainer and "Sur-Set" bucket. Complete with Dura-Coated cast iron floor drain stabilizer ring with four 1/4-20 x 1/2" [13mm] securing screws to 3/8-16 x 7" [178mm] threaded rods and four 1/4-20 x 1-1/2" [38mm] securing screws to outlet piping.

OPTIONS (Check/specify appropriate options)

PIPE SIZE

- 2 [51]
- 3 [76]
- 4 [102]
- 2,3,4 [51,76,102]
- 2,3,4 [51,76,102]

OUTLET (Specify size/type)

- _____ IP Threaded
- _____ IP Threaded
- _____ IP Threaded
- _____ NH No-Hub
- _____ NL Neo-Loc

'E' BODY HT. DIM.

- 2-7/16 [62]
- 2-3/4 [70]
- 2-13/16 [71]
- 3-13/16 [97]
- 3-7/8 [98]

PREFIXES

- _____ ZB D.C.C.I. Body Assembly w/ Polished Bronze Top
- _____ ZN D.C.C.I. Body Assembly w/ Polished Nickel Bronze Top*

SUFFIXES

- _____ -G Galvanized Cast Iron
- _____ -P Trap Primer Connection (Specify 1/2 [13] or 3/4 [19])
- _____ -PC Protective Cover
- _____ -TC Neo-Loc Test Cap Gasket (2,3,4 [51,76,102] NL Bottom Outlet Only)
- _____ -U 1-3 [25-76] High Extension Adapter
- _____ -VP Vandal-Proof Secured Top

* Regularly furnished unless otherwise specified.