



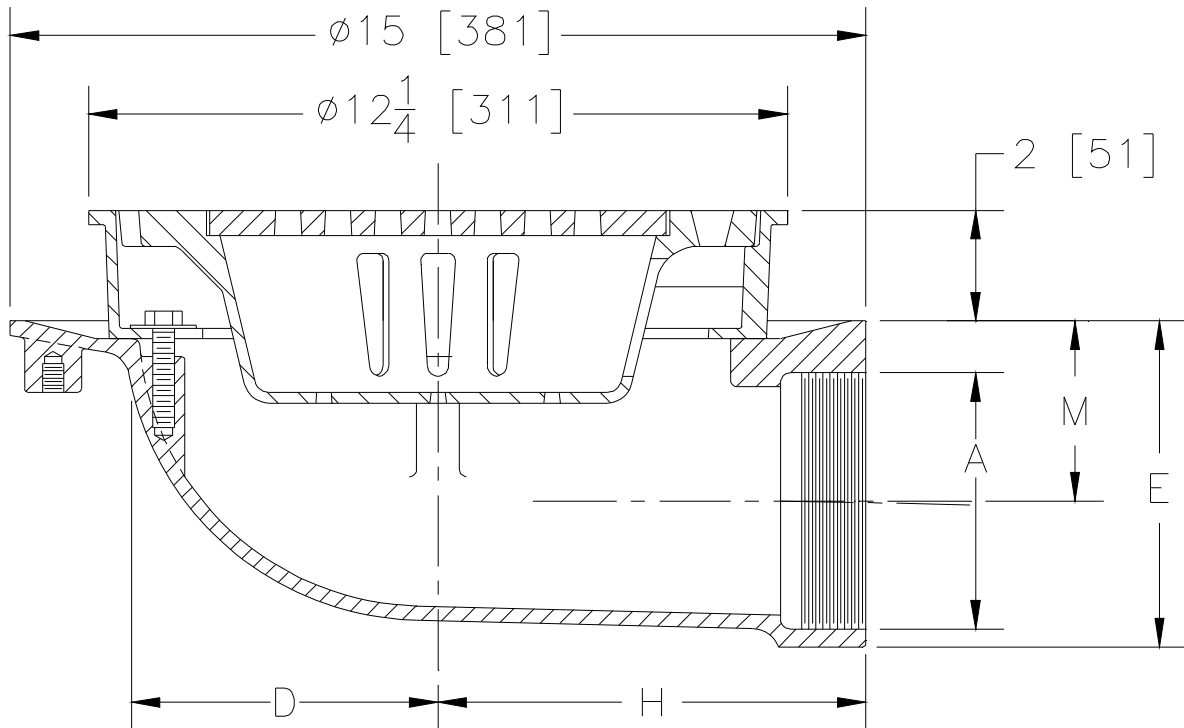
# Z540-90

12-1/4 [311] MEDIUM DUTY DRAIN  
WITH SUR-SET BUCKET

SPECIFICATION SHEET

TAG \_\_\_\_\_

Dimensional Data (inches and [ mm ]) are Subject to Manufacturing Tolerances and Change Without Notice



Dimensions in Inches [mm]				Approx. Wt. Lbs.	Grate Open Area Sq. In. [Cm <sup>2</sup> ]
A- Pipe Size	D	H	M		
2 [51]	5-7/8 [149]	7-1/2 [191]	4-1/4 [108]	53 [24]	18 [116]
3 [76]			3-11/16 [94]	52 [24]	
4 [102]			3-3/16 [81]	50 [23]	
6 [152]			4-1/4 [108]	53 [24]	

**ENGINEERING SPECIFICATION:** ZURN Z540-90 12-1/4" [311mm] Diameter top drain, Dura-Coated cast iron body with side outlet, seepage pan and combination membrane flashing clamp and frame for Sur-Set bucket and medium duty slotted grate.

**OPTIONS** (Check/specify appropriate options)

**PIPE SIZE**

2,3,4 [51,76,102]  
6 [152]

(Specify size) **OUTLET**

\_\_\_ IP Threaded  
\_\_\_ IP Threaded

**'E' BODY HT. DIM.**

5-3/4 [146]  
7-7/8 [200]

**PREFIXES**

\_\_\_ Z D.C.C.I. Body and Grate\*  
\_\_\_ ZN D.C.C.I. Body w/ Polished Nickel Bronze Top (Add 3/16 [5] to 2 [51] Dim.)

**SUFFIXES**

\_\_\_ -DG Duresist Grate  
\_\_\_ -G Galvanized Cast Iron  
\_\_\_ -TS Top Secured with Slotted Screws  
\_\_\_ -VP Vandal Proof Secured Top

\* Regularly furnished unless otherwise specified.