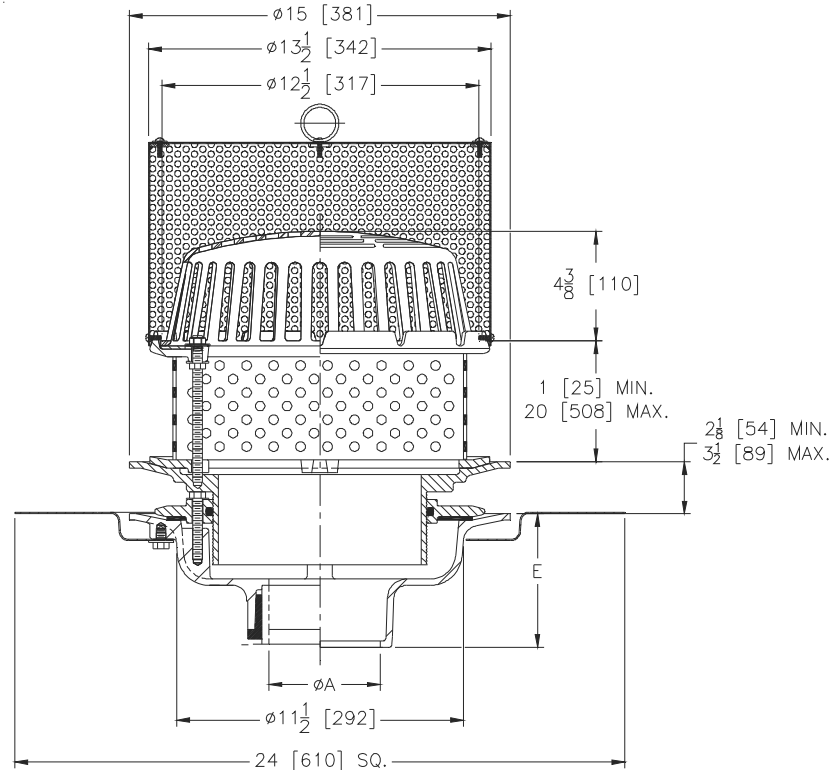




Z110-DP-EA-85

15 [381] DIAMETER MAIN GREEN ROOF DRAIN W/ PERFORATED SCREEN ASSEMBLY, REMOVABLE COVER W/ LIFT HANDLE, TOP-SET® TAG _____ DECK PLATE, ADJUSTABLE EXTENSION AND PERFORATED EXTENSION

Dimensional Data (inches and [mm]) are Subject to Manufacturing Tolerances and Change Without Notice



A Pipe Size In [mm]	Approx Wt. Lbs [kg]	Dome Open Area In ² [cm ²]
2,3,4 [51,76,102]	55 [25]	103 [665]
6 [152]		
8 [203]		

ENGINEERING SPECIFICATION: ZURN Z110-DP-EA-85
 15" [381mm] Diameter green roof drain. Dura-Coated cast iron body with combination membrane flashing/clamp gravel guard, Top-Set® deck plate, adjustable extension, secondary clamping collar with stainless steel perforated extension and low silhouette Poly-Dome strainer. Complete with secured Type 304 (CF8) Stainless Steel perforated screen assembly with secured removable access cover with lift handle.

OPTIONS (Check/specify appropriate options)

PIPE SIZE

- 3,4,6 [76,102,152]
- 2,3,4,6, 8 [51,76,102,152,203]
- 2,3,4,6, 8 [51,76,102,152,203]
- 2,3,4 [51,76,102]
- 6 [152]

(Specify size/type) **OUTLET**

- _____ IC Inside Caulk
- _____ IP Threaded
- _____ NH No-Hub
- _____ NL Neo-Loc
- _____ NL Neo-Loc

'E' BODY HT. DIM.

- 5-1/4 [133]
- 3-3/4 [95]
- 5-1/4 [133]
- 4-5/8 [117]
- 5-7/16 [138]

PREFIXES

- ___ Z D.C.C.I. Body with Poly-Dome*
- ___ ZA D.C.C.I. Body with Aluminum Dome
- ___ ZC D.C.C.I. Body with Cast Iron Dome

SUFFIXES

- ___ -AR Acid Resistant Epoxy Coated
- ___ -E Static Extension 1 [25] thru 4 [102] (Specify Ht.)
- ___ -G Galvanized Cast Iron
- ___ -ST Dome w/ Solid Top (ZA and ZC Only)
- ___ -TC Neo-Loc Test Cap Gasket (2,3,4 [51,76,102] NL Bottom Outlet Only)
- ___ -VP Vandal Proof Secured Top

* Regularly furnished unless otherwise specified.