



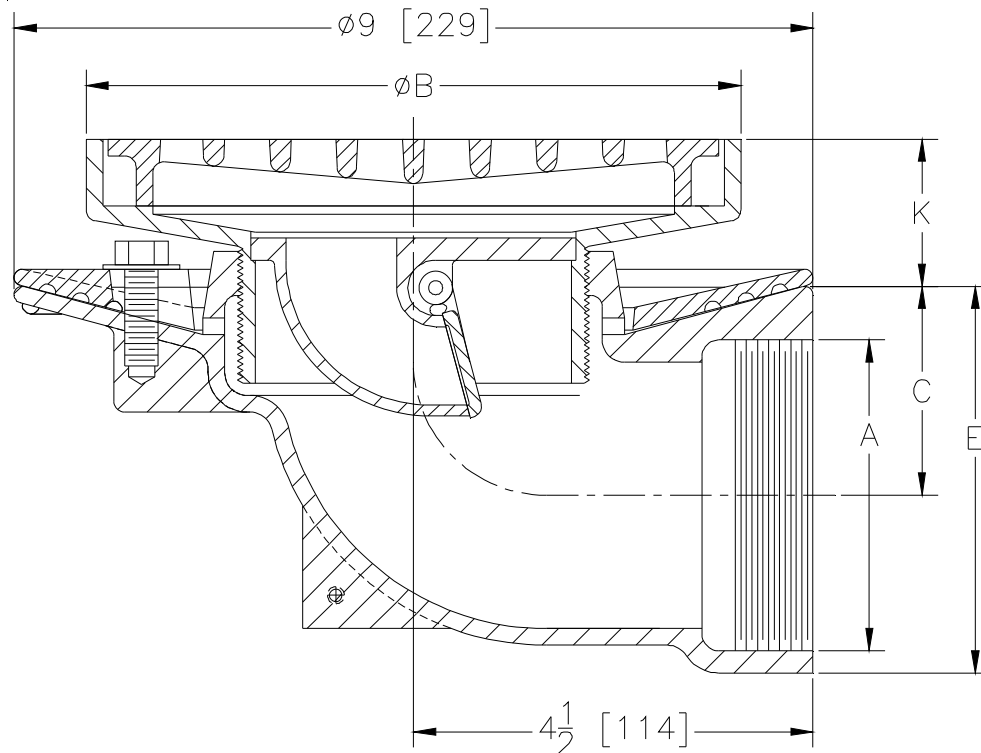
Z415N-V-90

FLOOR AND SHOWER DRAIN W/ "TYPE N"
STRAINER AND BACKWATER VALVE

SPECIFICATION SHEET

TAG _____

Dimensional Data (inches and [mm]) are Subject to Manufacturing Tolerances and Change Without Notice



Dimensions In Inches				Approx. Wt. Lbs. [kg]	Strainer Open Area Sq. In. [cm ²]
A Pipe Size	B Strainer Dia.	K			
		Min.	Max.		
2-3 [51-76]	7 [178]	1-1/8 [29]	2-3/8 [60]	19 [9]	12 [77]
2-3 [51-76]	9 [229]	1-5/8 [41]	2-5/8 [67]	23 [10]	23 [148]

ENGINEERING SPECIFICATION: ZURNZ415N-V-90

Floor and shower drain, Dura-Coated cast iron body with side outlet, clamping collar, backwater valve, and adjustable "TYPE N" D.C.C.I. strainer with deep flanged grate.

OPTIONS (Check/specify appropriate options)

PIPE SIZE	(Specify size/type) OUTLET	'C' DIM.	'E' BODY HT. DIM.
2 [51]	____ IP Threaded	3-5/16 [84]	4-3/8 [111]
3 [76]	____ IP Threaded	2-3/4 [70]	4-3/8 [111]

PREFIXES

- ____ Z D.C.C.I. Body w/ Dura-Coated Top*
- ____ ZB D.C.C.I. Body w/ Polished Bronze Top
- ____ ZN D.C.C.I. Body w/ Polished Nickel Bronze Top

SUFFIXES

- ____ -AR Acid Resisting Epoxy Coated Cast Iron
- ____ -DG Duresist Grate
- ____ -G Galvanized Cast Iron
- ____ -TS Top Secured with Slotted Screws
- ____ -U 1 - 3 [25 - 76] High Extension Adapter
- ____ -VP Vandal-Proof Secured Top

* Regularly furnished unless otherwise specified.