



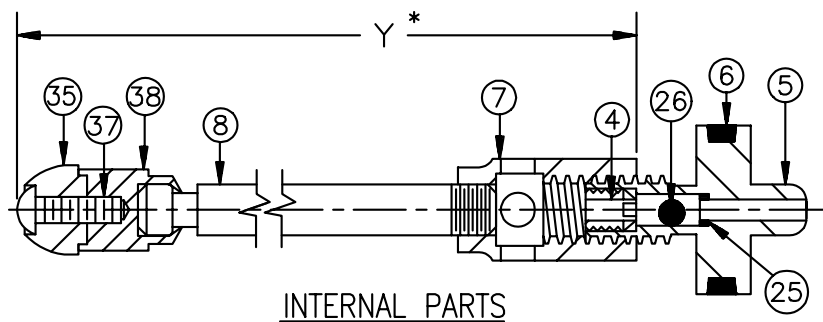
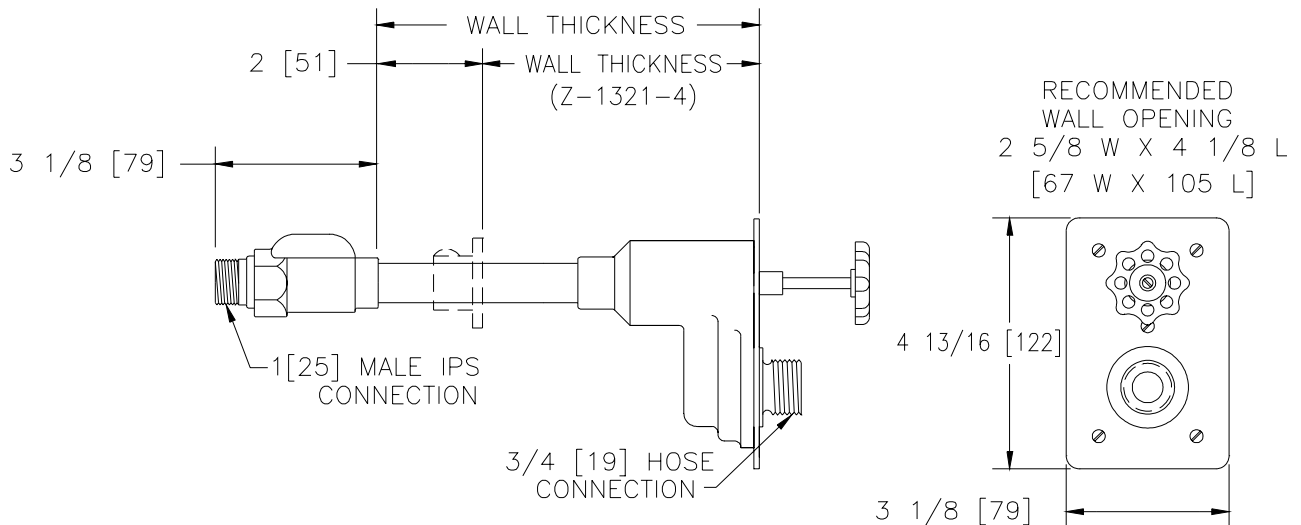
# Z-1321-76

## ECOLOTROL WALL HYDRANT

### Exposed, Non-Freeze, Anti-Siphon, Automatic Draining

TAG \_\_\_\_\_

Dimensional Data (inches and [ mm ]) are Subject to Manufacturing Tolerances and Change Without Notice



Wall Thickness Inches	Approx. Wt. Lbs. [kg]
4-6-8 [102-152-203]	3 [1]
10-12-14 [254-305-356]	4 [2]
16-18 [406-457]	5 [2]
20-22-24 [508-559-610]	6 [3]
26-30 [660-762]	8 [4]

**ENGINEERING SPECIFICATION:** ZURN Z-1321-76 Exposed Ecolotrol "anti-siphon" automatic draining wall hydrant. Complete with non-freeze integral backflow preventer, copper casing, all bronze interior parts, non-turning operating rod with hemispherical neoprene plunger and 3/4 [19] solder inlet. Stainless steel face with secured wheel handle. (All solder connections are lead free.)

**PARTS LIST**

Item	Name	Quan
4	Screw	1
5	Operating Screw	1
6	O-Ring	1
7	Operating Coupling	1
8	Operating Rod	1
25	O-Ring	1
26	Ball	1
35	Plunger	1
37	Screw	1
38	Washer Guide	1

**OPTIONS** (Check/specify appropriate options)

**SUFFIXES**

- \_\_\_\_ -RK Hydrant Parts Repair Kit
- \_\_\_\_ -4 Wall Clamp

REV.	DATE: 4/18/97	C.N. NO. 77790
DWG. NO. P-14460 PRODUCT NO. Z-1321-76		

\*WHEN ORDERING REPLACEMENT PARTS SPECIFY Y DIM.