



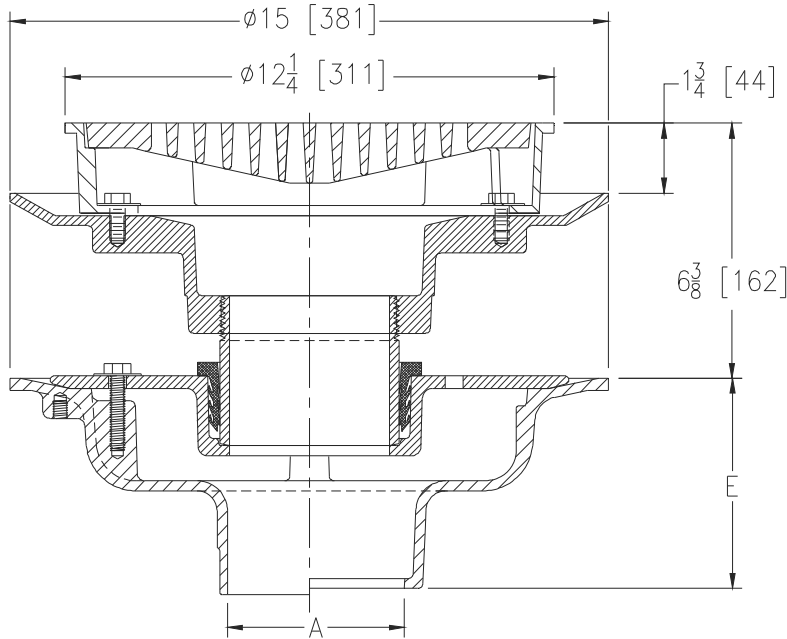
Z624-113

ISOLATION DECK DRAIN W/ 12 [305] HEAVY-DUTY TOP DRAIN

SPECIFICATION SHEET

TAG _____

Dimensional Data (inches and [mm]) are Subject to Manufacturing Tolerances and Change Without Notice



A Pipe Size In [mm]	Approx. Wt. Lbs. [kg]	Grate Open Area Sq. In. [cm ²]
2, 3, 4 [51, 76, 102]	68 [31]	30 [193]
5, 6 [127, 152]		

ENGINEERING SPECIFICATION: ZURN Z624-113

Floating slab drain, Dura-Coated cast iron upper and lower bodies, clamp collar with weep holes, neoprene flex gasket, isolation nipple and heavy-duty slotted grate.

OPTIONS (Check/specify appropriate options)

PIPE SIZE

- 2,3,4,5,6 [51,76,102,127,152]
- 2,3,4, 6 [51,76,102,152]
- 2,3,4,5,6 [51,76,102,127,152]
- 2,3,4,5,6 [51,76,102,127,152]
- 2,3,4 [51,76,102]

(Specify size/type) **OUTLET**

- ___ IC Inside Caulk
- ___ IG Inside Gasket
- ___ IP Threaded
- ___ NH No-Hub
- ___ NL Neo-Loc

'E' BODY HT. DIM.

- 5-1/4 [133]
- 5-1/4 [133]
- 3-3/4 [95]
- 5-1/4 [133]
- 4-5/8 [117]

PREFIXES

- ___ Z D.C.C.I. Body and Top*
- ___ ZB D.C.C.I Body w/ Polished Bronze Top (Add 3/16 [5] to 1-3/4 [44] Dim. and 3/4 [20] to 12-1/4 [311] Dim.)
- ___ ZN D.C.C.I Body w/ Polished Nickel Bronze Top (Add 3/16 [5] to 1-3/4 [44] Dim. and 3/4 [20] to 12-1/4 [311] Dim.)

SUFFIXES

- ___ -C Underdeck Clamp (Lower Body)
- ___ -D Dome Grate
- ___ -DG Duresist Grate
- ___ -G Galvanized Cast Iron
- ___ -H Hinged Grate
- ___ -HP Heel-Proof Grate
- ___ -HT Square Hinged Grate
- ___ -LH Less Weep Holes in Clamp Collar
- ___ -R Sump Receiver (Lower Body)
- ___ -SC Solid Cover
- ___ -SD Longer Standpipe (Specify Height Required)
- ___ -T Square Top
- ___ -TS Top Secured with Slotted Screws
- ___ -VP Vandal-Proof Secured Top
- ___ -Y Sediment Bucket (Upper Body)

* Regularly furnished unless otherwise specified.