



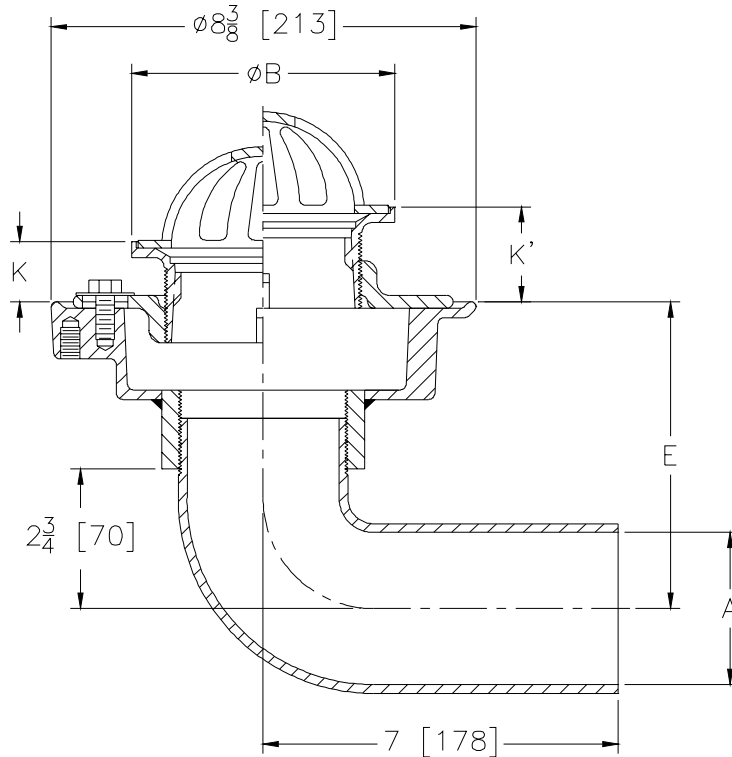
# Z415G-76

## BODY ASSEMBLY W/ "TYPE G" STRAINER & Z1042 ELBOW ADAPTER

SPECIFICATION SHEET

TAG \_\_\_\_\_

Dimensional Data (inches and [ mm ]) are Subject to Manufacturing Tolerances and Change Without Notice



Dimensions In Inches						Approx. Wt. Lbs. [kg]	Strainer Open Area Sq. In. [cm <sup>2</sup> ]
A - Pipe Size	B Str. Dia.	K		K'			
		Min.	Max.	Min.	Max.		
3 [76]	6 [152]	3/4 [19]	1 3/4 [44]	1 5/8 [41]	2 3/4 [70]	25 [11]	12 [77]

**ENGINEERING SPECIFICATION:** ZURN ZN415G-76 Floor and shower drain, Dura-Coated cast iron body, Z1042 elbow adapter with no-hub outlet, combination invertible membrane clamp and adjustable collar with "TYPE G" polished nickel bronze strainer with dome grate.

**OPTIONS** (Check/specify appropriate options)

**PIPE SIZE**

3 [76]

**OUTLET**

\_\_\_\_\_ NH No-Hub

**'E' BODY HT. DIM.**

6 [152]

**PREFIXES**

- \_\_\_\_\_ ZB D.C.C.I. Body Assembly w/Polished Bronze Top
- \_\_\_\_\_ ZN D.C.C.I. Body Assembly w/Polished Nickel Bronze Top\*

**SUFFIXES**

- \_\_\_\_\_ -AR Acid Resisting Epoxy Coated Cast Iron
- \_\_\_\_\_ -BS Bronze Mesh Screen Over Dome
- \_\_\_\_\_ -CP Chrome-Plated Bronze Top
- \_\_\_\_\_ -G Galvanized Cast Iron
- \_\_\_\_\_ -P Trap Primer Connection (Specify 1/2 [13] or 3/4 [19])
- \_\_\_\_\_ -SS Stainless Steel Mesh Screen Over Dome
- \_\_\_\_\_ -U 1 - 3 [25 - 76] High Extension Adapter
- \_\_\_\_\_ -VP Vandal-Proof Secured Top

<b>REV. A</b>	<b>DATE: 03/11/04</b>	<b>C.N. NO. 92014</b>
<b>DWG. NO. P-14690</b>	<b>PRODUCT NO. Z415G-76</b>	

\*REGULARLY FURNISHED UNLESS OTHERWISE SPECIFIED