



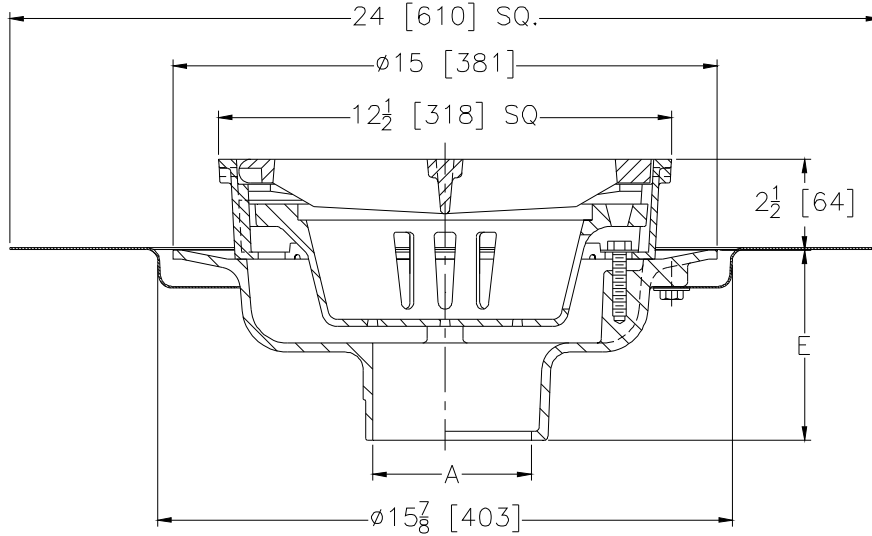
# Z610-115

## 12 [305] SQ. HEAVY-DUTY DRAIN W/ 24 [610] SQ. DECK PLATE

SPECIFICATION SHEET

TAG \_\_\_\_\_

Dimensional Data (inches and [ mm ]) are Subject to Manufacturing Tolerances and Change Without Notice



A Pipe Size	Approx. Wt. Lbs. [kg]	Grate Open Area Sq. In. [cm <sup>2</sup> ]
2-3-4-5-6 [51-76-102-127-152]	54 [24]	40 [258]
8-10 [203-254]	56 [25]	

### ENGINEERING SPECIFICATION: ZURN Z610-115

12 [305] Square top drain, Dura-Coated cast iron body with bottom outlet, seepage pan and combination membrane flashing clamp and frame for heavy-duty cast iron loose slotted grate, with suspended sediment bucket and 24 [610] square deck plate.

### OPTIONS (Check/specify appropriate options)

#### PIPE SIZE

- 2 thru 6, 8, 10 [51 thru 152, 203, 254]
- 2 thru 4, 6 [51 thru 102, 152]
- 2 thru 6, 8, 10 [51 thru 152, 203, 254]
- 2 thru 6, 8, 10 [51 thru 152, 203, 254]
- 2 thru 4 [51 thru 102]

#### (Specify size/type) OUTLET

- \_\_\_ IC Inside Caulk
- \_\_\_ IG Inside Caulk w/Sealtrol Gskt.
- \_\_\_ IP Threaded
- \_\_\_ NH No-Hub
- \_\_\_ NL Neo-Loc

#### 'E' BODY HT. DIM.

- 5 1/4 [133]
- 5 1/4 [133]
- 3 3/4 [95]
- 5 1/4 [133]
- 4 5/8 [117]

#### PREFIXES

- \_\_\_ Z D.C.C.I. Body and Top\*
- \_\_\_ ZB D.C.C.I Body w/Polished Bronze Top (Add 3/16 [5] to 2 1/2 [64] Dim. and 3/4 [19] to 12 1/2 [318] Dim.)
- \_\_\_ ZN D.C.C.I Body w/Polished Nickel Bronze Top (Add 3/16 [5] to 2 1/2 [64] Dim. and 3/4 [19] to 12 1/2 [318] Dim.)

#### SUFFIXES

- \_\_\_ -AR Acid Resistant Epoxy Coated Cast Iron
- \_\_\_ -DG Duresist Grate
- \_\_\_ -DS Ductile Iron Solid Cover
- \_\_\_ -DX Dex-o-tex Flange (ZB, ZN Only)
- \_\_\_ -F 2 [51] High Extension
- \_\_\_ -G Galvanized Cast Iron
- \_\_\_ -H Hinged Grate
- \_\_\_ -HC Hinged Solid Cover
- \_\_\_ -HL Hinged Locking Grate
- \_\_\_ -HLC Hinged Locking Cover
- \_\_\_ -LY (Less) Sediment Bucket
- \_\_\_ -S Secondary Strainer
- \_\_\_ -SC Solid Cover
- \_\_\_ -SS Stainless Steel Mesh Liner for Bucket
- \_\_\_ -TC Neo-Loc Test Cap Gasket  
(2 [51] - 4 [102] NL Bottom Outlet Only)
- \_\_\_ -TS Top Secured with Slotted Screws
- \_\_\_ -V Backwater Valve (See Z1099)
- \_\_\_ -VP Vandal-Proof Secured Top
- \_\_\_ -YA Aluminum Sediment Bucket

\*REGULARLY FURNISHED UNLESS OTHERWISE SPECIFIED

REV. DATE: 07/01/09 C.N. NO. 120134

DWG. NO. P-15731 PRODUCT NO. Z610-115

ZURN INDUSTRIES, LLC. ♦ SPECIFICATION DRAINAGE OPERATION ♦ 1801 Pittsburgh Ave. ♦ Erie, PA 16514

Phone: 814/455-0921 ♦ Fax: 814/454-7929 ♦ World Wide Web: www.zurn.com

In Canada: ZURN INDUSTRIES LIMITED ♦ 3544 Nashua Drive ♦ Mississauga, Ontario L4V1L2 ♦ Phone: 905/405-8272 Fax: 905/405-1292