



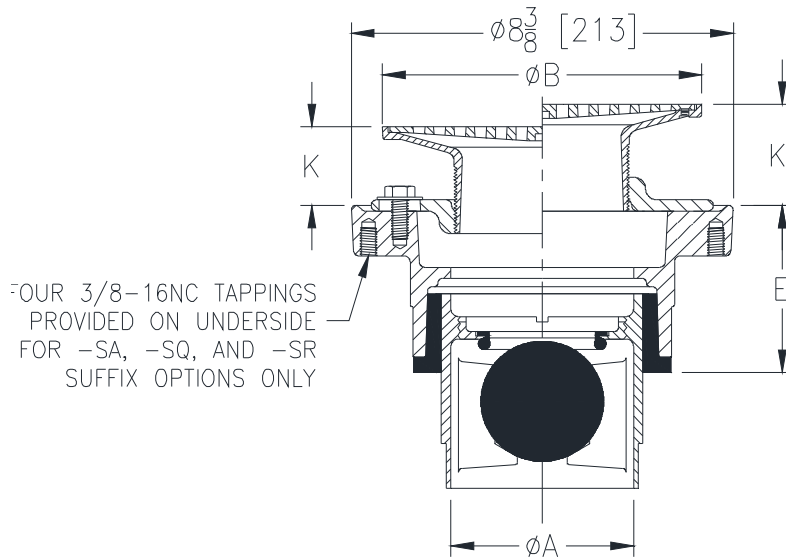
Z415B-122

BODY ASSEMBLY W/ "TYPE B" STRAINER AND Z1099 BACKWATER VALVE

SPECIFICATION SHEET

TAG _____

Dimensional Data (inches and [mm]) are Subject to Manufacturing Tolerances and Change Without Notice



| Dimensions In Inches | | | | | | Approx. Wt. Lbs. [kg] | Strainer Open Area Sq. In. [cm ²] |
|----------------------|-----------------|-------------|--------------|--------------|--------------|-----------------------|---|
| A Pipe Size | B Strainer Dia. | K | | K' | | | |
| | | Min. | Max. | Min. | Max. | | |
| 2-3 [51-76] | 5 [127] | 1 [25] | 1-1/2 [38] | 1-3/32 [28] | 2-1/4 [57] | 11 [5] | 8 [52] |
| 2-3-4 [51-76-102] | 6 [152] | 1 [25] | 1-25/32 [45] | 1-13/32 [36] | 2-17/32 [64] | 13 [6] | 9 [58] |
| 2-3-4 [51-76-102] | 7 [178] | 1 [25] | 2-1/8 [54] | 1-23/32 [44] | 2-7/8 [73] | 14 [6] | 12 [77] |
| 3-4 [76-102] | 8 [203] | 1-5/32 [30] | 2-1/8 [54] | 1-3/4 [44] | 2-7/8 [73] | 16 [7] | 18 [116] |
| 4 [102] | 10 [254] | 1-7/16 [37] | 2-1/2 [64] | 2 [51] | 3-1/4 [83] | 22 [10] | 26 [168] |

ENGINEERING SPECIFICATION: ZURN Z415B-122

Floor and shower drain, Dura-Coated cast iron body with bottom outlet, combination invertible membrane clamp and adjustable collar with seepage slots, "TYPE B" polished nickel bronze, light-duty strainer, and Z1099 float type backwater valve.

OPTIONS (Check/specify appropriate options)

PIPE SIZE (ØA) (Specify size/type) **OUTLET** **'E' BODY HT. DIM.**
 2-3-4 [51-76-102] _____ NH No-Hub 3-3/4 [95]

PREFIXES

- ___ ZB D.C.C.I. Body Assembly w/ Polished Bronze Top
- ___ ZN D.C.C.I. Body Assembly w/ Polished Nickel Bronze Top*

SUFFIXES

- ___ -AA All Acid Resisting Epoxy
- ___ -AR Acid Resisting Epoxy Coated Cast Iron
- ___ -CP Chrome-Plated Bronze Top
- ___ -DC Debris Cover
- ___ -DP Decorative Polished Top
- ___ -EF 3/8 [16] Extension Frame
- ___ -G Galvanized Cast Iron
- ___ -HD Heavy-Duty Slotted Grate (ZN 5 [127] & 6 [152] Sizes Only)
- ___ -OF Oval Funnel (Z329-7) (6-10 [152-254] Strainers Only)
- ___ -P Trap Primer Connection (Specify 1/2 [13] or 3/4 [19])
- ___ -SA Stabilizer Assembly (See Z1035)
- ___ -SQ Stabilizer Q-Deck (See Z1035-Q)
- ___ -SR Stabilizer Ring
- ___ -TC Neo-Loc Test Cap Gasket (2-4 [51-102] NL Outlet Only)
- ___ -U 1-3 [25-76] High Extension Adapter
- ___ -VP Vandal-Proof Secured Top
- ___ -Y Sediment Bucket
- ___ -4 4 [102] Diameter Funnel (Z328)
- ___ -18 Leveling Ring (See Z400-18)

* Regularly furnished unless otherwise specified.