



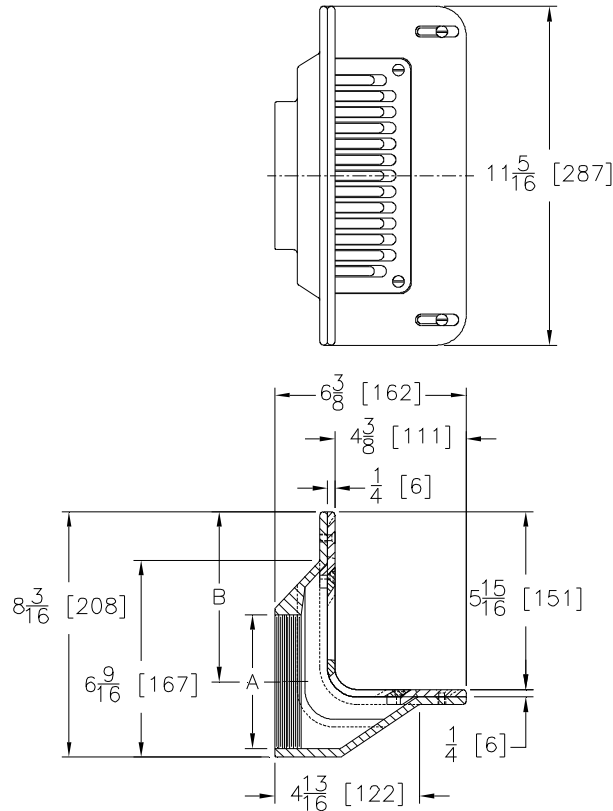
Z189-90

SCUPPER DRAIN WITH SIDE OUTLET

SPECIFICATION SHEET

TAG _____

Dimensional Data (inches and [mm]) are Subject to Manufacturing Tolerances and Change Without Notice



A Pipe Size In. [mm]	B In. [mm]	Approx. Wt. Lbs. [kg]	Grate Open Area Sq. In. [cm ²]
2 [51]	6-3/4 [171]	18 [8]	20 [129]
3 [76]	6-1/4 [159]		
4 [102]	5-3/4 [146]		

ENGINEERING SPECIFICATION: ZURN Z189-90
 Scupper drain with side outlet, Dura-Coated cast iron body with aluminum flush type strainer and combination frame and membrane flashing clamp.

OPTIONS (Check/specify appropriate options)

PIPE SIZE

2, 3, 4 [51, 76, 102]
 2, 3, 4 [51, 76, 102]

(Specify size/type) **OUTLET**

___ IP Threaded
 ___ NH No-Hub (IP w/Z-1040)

BODY HT. DIM.

See Chart
 See Chart

PREFIXES

___ Z D.C.C.I. Body with Aluminum Grate*
 ___ ZB D.C.C.I. Body with Polished Bronze Grate
 ___ ZN D.C.C.I. Body with Polished Nickel Bronze Grate

SUFFIXES

___ -G Galvanized Cast Iron
 ___ -TS Top Secured with Slotted Screws
 ___ -VP Vandal Proof Secured Top

* Regularly furnished unless otherwise specified.