

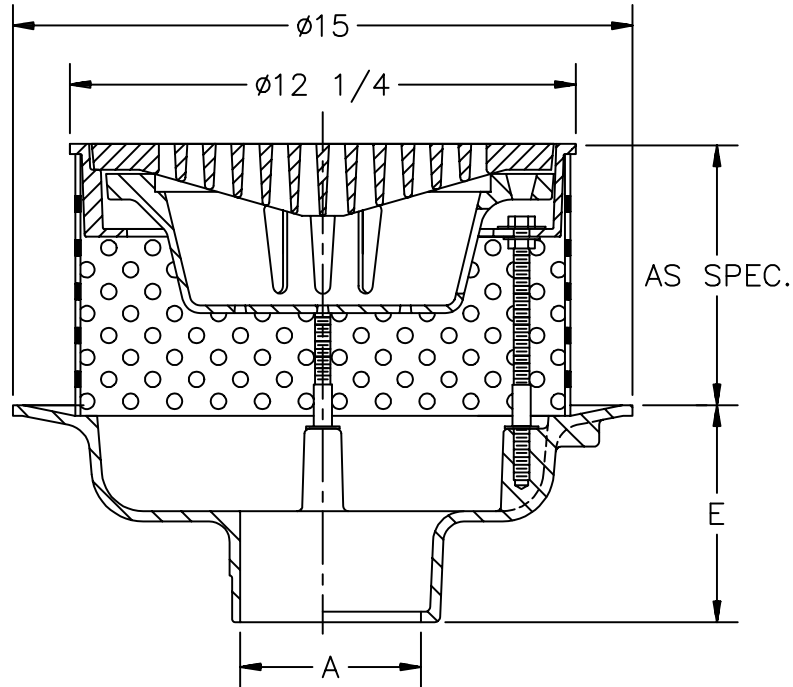


Z-541-101

TAG: _____

12" DIAMETER HEAVY DUTY DRAIN

Dimensional Data (inches and [mm]) are Subject to Manufacturing Tolerances and Change Without Notice



A- Pipe Size In.	Approx. Wt. Lbs.	Grate Open Area Sq. In.
2-3-4-5-6	52	29
8-10	54	

ENGINEERING SPECIFICATION: ZURN Z-541-101 12" Diameter top drain, Dura-Coated cast iron body with bottom outlet, perforated extension and secondary frame for heavy duty cast iron slotted grate with suspended sediment bucket.

OPTIONS (Check/specify appropriate options)

OUTLET (Specify type)

- _____ **IC** Inside Caulk
- _____ **IG** Inside Caulk w/Sealtrol Gskt.
- _____ **IP** Threaded
- _____ **NH** No-Hub
- _____ **NL** Neo-Loc
- _____ **NL** Neo-Loc

PIPE SIZE (Specify size)

- _____ 2" thru 6", 8", 10"
- _____ 2", 3", 4", 6"
- _____ 2" thru 6", 8", 10"
- _____ 2" thru 6", 8", 10"
- _____ 2", 3", 4"
- _____ 5", 6"

"E" BODY HT. DIM.

- 5-1/4"
- 5-1/4"
- 3-3/4"
- 5-1/4"
- 4-5/8"
- 5-1/2"

PREFIXES

- _____ **Z-** D.C.C.I. Body and Grate*
- _____ **ZB-** D.C.C.I. Body with Polished Bronze Grate (Add 3/16" to 2" Dim.)
- _____ **ZN-** D.C.C.I. Body with Polished Nickel Bronze Grate (Add 3/16" to 2" Dim.)

SUFFIXES

- _____ **-DG** Duresist Grate
- _____ **-DX** Dex-o-tex Flange (See Z-532)
- _____ **-G** Galvanized Cast Iron
- _____ **-LY** (Less) Bucket
- _____ **-P** Trap Primer Connection
- _____ **-S** Secondary Strainer
- _____ **-SS** Stainless Mesh Liner for Bucket
- _____ **-V** Backwater Valve (See Z-1099)
- _____ **-VP** Vandal Proof Secured Top
- _____ **-90** 90° Threaded Side Outlet Body (2" thru 6")

*REGULARLY FURNISHED UNLESS OTHERWISE SPECIFIED

REV.	DATE: 2/23/95	C.N. NO. 70895
DWG. NO. P-14141 PRODUCT NO. Z-541-101		

ZURN INDUSTRIES, INC. ♦ SPECIFICATION DRAINAGE OPERATION ♦ 1801 Pittsburgh Ave. ♦ Erie, PA 16514

Phone: 814/455-0921 ♦ Fax: 814/454-7929 ♦ World Wide Web: www.zurn.com

In Canada: ZURN INDUSTRIES LIMITED ♦ 3544 Nashua Drive ♦ Mississauga, Ontario L4V1L2 ♦ Phone: 905/405-8272 Fax: 905/405-1292