

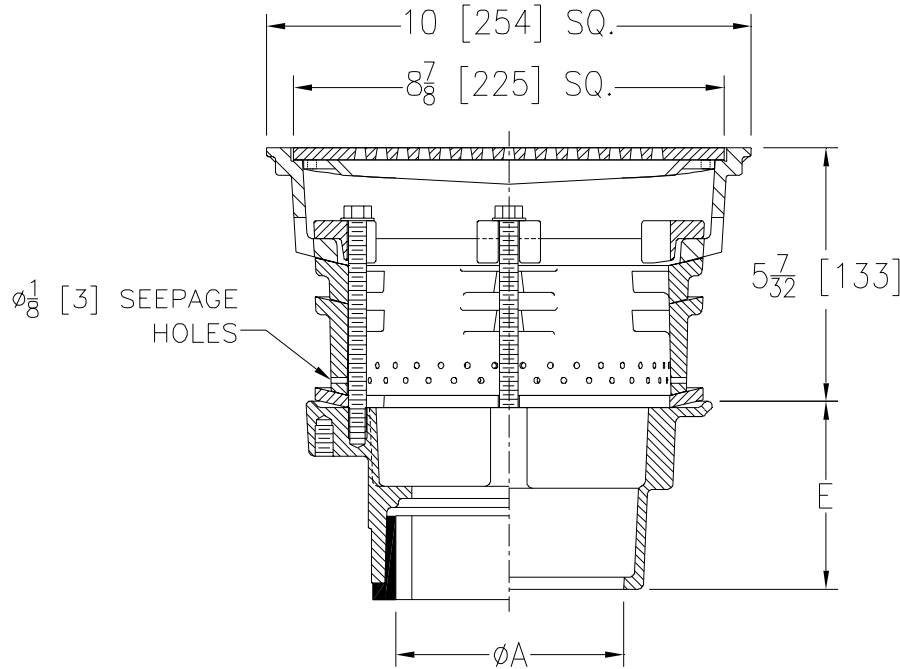


Z158-95

SPECIFICATION SHEET

10 [254] SQ. TOP PROM-DECK DRAIN W/ HEEL-PROOF GRATE & PERFORATED STATIC EXTENSION TAG _____

Dimensional Data (inches and [mm]) are Subject to Manufacturing Tolerances and Changes Without Notice



A- Pipe Size In.	Approx. Wt. Lbs. [kg]	Grate Open Area Sq. In. [cm ²]
2-3-4 [51-76-102]	26 [12]	11 [71]

ENGINEERING SPECIFICATION: ZURN Z158-95

10 [254] Square top Prom-Deck drain, Dura-Coated cast iron body with rotatable square promenade frame and heel-proof light duty grate, extension frame with two rows (36 each) of 1/8 [3] dia. seepage holes, and clamp collar at body.

OPTIONS (Check/specify appropriate options)

PIPE SIZE

- 2 thru 4 [51 thru 102]
- 2 thru 4 [51 thru 102]
- 2 thru 4 [51 thru 102]
- 2 thru 4 [51 thru 102]

(Specify size) OUTLET

- ___ IC Inside Caulk
- ___ IP Threaded
- ___ NH No-Hub
- ___ NL Neo-Loc

'E' BODY HT. DIM.

- 3 7/8 [98]
- 2 5/8 [67]
- 3 7/8 [98]
- 3 3/4 [95]

PREFIXES

- ___ Z D.C.C.I. Body with Top*
- ___ ZB D.C.C.I. Body with Polished Bronze Top
- ___ ZN D.C.C.I. Body with Polished Nickel Bronze Top

SUFFIXES

- ___ -AR Acid Resistant Epoxy Coated
- ___ -C Underdeck Clamp
- ___ -DG Duresist Grate (Z Only)
- ___ -DP Top-Set® Roof Deck Plate (Replaces Both the -C and -R)
- ___ -G Galvanized Cast Iron
- ___ -R Roof Sump Receiver
- ___ -S Secondary Strainer
- ___ -TC Neo-Loc Test Cap Gasket (2 - 4 [51-102] NL Bottom Outlet Only)
- ___ -TS Top Secured with Slotted Screws
- ___ -VP Vandal-Proof Secured Top
- ___ -XJ Vertical Expansion Joint (See Z190)
- ___ -Y Sediment Bucket
- ___ -90 90° Threaded Side Outlet Body (2 - 4 [51-102]) (Previously Z159)

*REGULARLY FURNISHED UNLESS OTHERWISE SPECIFIED

REV. A DATE: 04/12/06 C.N. NO. 95023

DWG. NO. P-15101 PRODUCT NO. Z158-95