



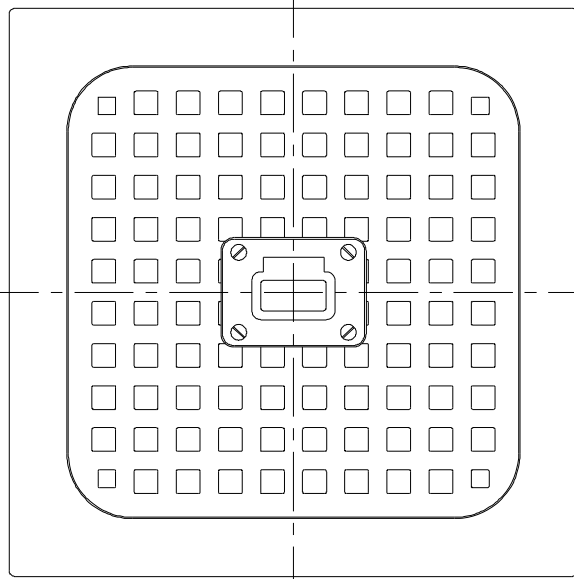
# Z1750-149

## 12 [305] x 12 [305] SANI-FLOR RECEPTOR, 6 [152] SUMP DEPTH W/ SUSPENDED BUCKET, INTERIOR DOME STRAINER & LIFT RING

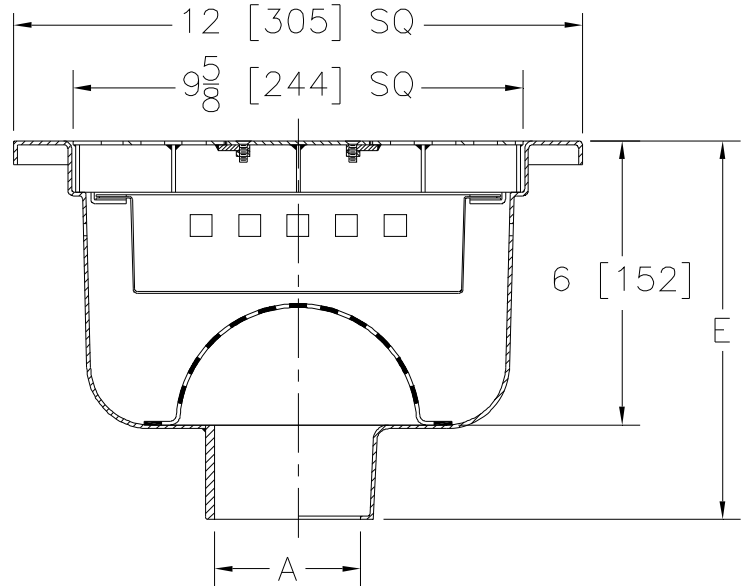
SPECIFICATION SHEET

TAG \_\_\_\_\_

Dimensional Data (inches and [ mm ]) are Subject to Manufacturing Tolerances and Change Without Notice



TOP VIEW



A- Pipe Size In.	Approx. Wt. Lbs.	Grate Open Area Sq. In.
2[51]-3[76]-4[102]	15 [7]	22 [142]
6 [152]	17 [8]	

**ENGINEERING SPECIFICATION: ZURN Z1750-149**

12 x 12 x 6 [305 x 305 x 152] deep, #16 gage, All Type 304 (CF8) Stainless Steel light duty Sani-Flor receptor with non-tilt, loose set full grate with 1/2 [13] square openings, suspended sediment bucket, anti-splash interior dome strainer & recessed stainless steel lift ring.

**OPTIONS** (Check/specify appropriate options)

**PIPE SIZE**

(Specify size/type) **OUTLET**

**'E' BODY HT. DIM.**

2 [51] thru 4 [102]	___ IC	Inside Caulk	8 9/16 [214]
2 [51]	___ IP	Threaded	7 5/16 [186]
3 [76]	___ IP	Threaded	7 9/16 [198]
4 [102]	___ IP	Threaded	8 1/16 [205]
2,3,4 & 6 [51,76,102 & 152]	___ NH	No-Hub	8 1/16 [205]
2 [51] thru 4 [102]	___ NL	Neo-Loc	7 13/16 [198]

**PREFIXES**

- \_\_\_ Z Type 304 (CF8) Stainless Steel Body\*
- \_\_\_ ZM Type 316 (CF8M) Stainless Steel

**SUFFIXES**

- \_\_\_ -DX Dex-O-Tex Flange
- \_\_\_ -HP Heel-Proof Grate
- \_\_\_ -K Seepage Pan
- \_\_\_ -KC Seepage Pan With Clamp Collar
- \_\_\_ -LSH (Less) Seepage Holes
- \_\_\_ -P 1/2 [13] Trap Primer Connection
- \_\_\_ -TC Neo-Loc Test Cap Gasket (2-4 [51-102] NL Bottom Outlet Only)
- \_\_\_ -2 1/2 Grate
- \_\_\_ -3 3/4 Grate
- \_\_\_ -4 Full Grate With 3 [76] Square Opening
- \_\_\_ -5 Grate w/ 4 [102] dia. x 3 3/4 [95] High Type 304 Stainless Steel Funnel
- \_\_\_ -8 Grate w/ 8 3/8 x 3 5/8 x 3 3/4 [213 x 92 x 95] High Type 304 Stainless Steel Oval Funnel
- \_\_\_ -16 1/2 Solid Cover
- \_\_\_ -17 3/4 Solid Cover
- \_\_\_ -18 Solid Cover With 3 [76] Square Center Opening
- \_\_\_ -316 Type 316 (CF8M) Stainless steel (Grate Only)

REV.	DATE: 01/08/09	C.N. NO. 99557
DWG. NO. P-15642	PRODUCT NO. Z1750-149	

\*REGULARLY FURNISHED UNLESS OTHERWISE SPECIFIED

ZURN INDUSTRIES, LLC. ♦ SPECIFICATION DRAINAGE OPERATION ♦ 1801 Pittsburgh Ave. ♦ Erie, PA 16514

Phone: 814/455-0921 ♦ Fax: 814/454-7929 ♦ World Wide Web: www.zurn.com

In Canada: ZURN INDUSTRIES LIMITED ♦ 3544 Nashua Drive ♦ Mississauga, Ontario L4V1L2 ♦ Phone: 905/405-8272 Fax: 905/405-1292