



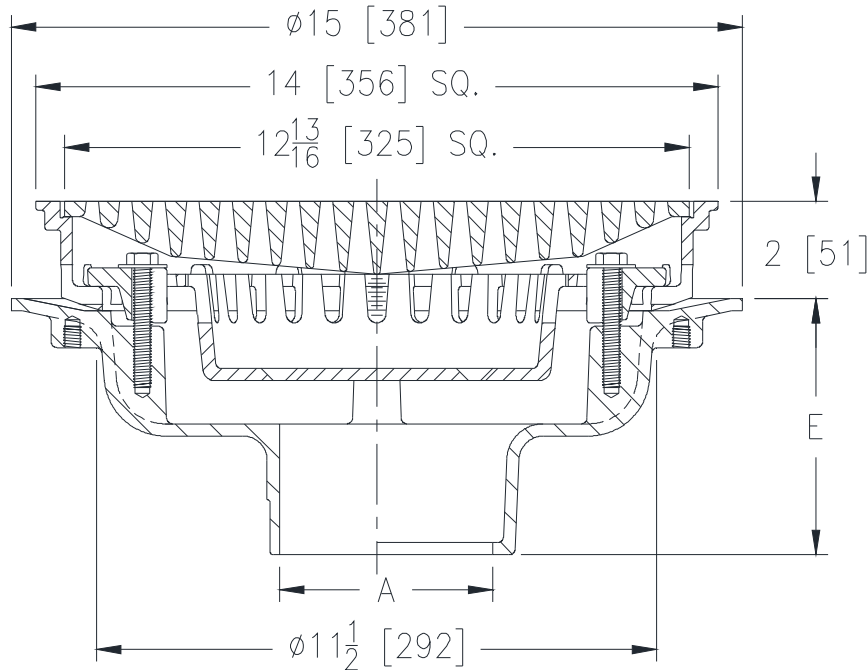
Z150-VP-Y

14 [356] SQUARE TOP PROM-DECK DRAIN W/ VANDAL PROOF SECURED HEEL PROOF GRATE, SEDIMENT BUCKET AND ROTATABLE FRAME

SPECIFICATION SHEET

TAG _____

Dimensional Data (inches and [mm]) are Subject to Manufacturing Tolerances and Change Without Notice



A Pipe Size in [mm]	Approx Wt. lbs [kg]	Grate Open Area in ² [cm ²]
2,3,4 [51,76,102]	65 [29]	44 [284]
6 [152]		
8 [203]	66 [30]	

ENGINEERING SPECIFICATION: ZURN Z150-VP-Y

14" [356mm] Square top Prom-Deck drain, Dura-Coated cast iron body with rotatable square promenade frame with seepage openings, frame clamps, vandal-proof secured heavy-duty heel proof grate, and sediment bucket.

OPTIONS (Check/specify appropriate options)

PIPE SIZE

- 2,3,4,6 [51,76,102,152]
- 2,3,4,6,8 [51,76,102,152,203]
- 2,3,4,6,8 [51,76,102,152,203]
- 2,3,4 [51,76,102]

(Specify size/type) OUTLET

- _____ IC Inside Caulk
- _____ IP Threaded
- _____ NH No-Hub
- _____ NL Neo-Loc

E BODY HT. DIM.

- 5-1/4 [133]
- 3-3/4 [95]
- 5-1/4 [133]
- 4-5/8 [117]

PREFIXES

- _____ Z D.C.C.I. Body with Top*
- _____ ZB D.C.C.I. Body with Polished Bronze Top (Add 3/16 [5] to 2 [51] Dim & 3/8 [10] to 14 [356] Dim.)
- _____ ZN D.C.C.I. Body with Polished Nickel Bronze Top (Add 3/16 [5] to 2 [51] Dim & 3/8 [10] to 14 [356] Dim.)

SUFFIXES

- | | |
|---|--|
| _____ -AR Acid Resistant Epoxy Coated | _____ -EB Top-Set® Adjustable Extension Assembly |
| _____ -C Underdeck Clamp | _____ -G Galvanized Cast Iron |
| _____ -DE Deck Extension (Includes Deck Plate -DP) | _____ -R Roof Sump Receiver |
| _____ -DG Duresist Grate | _____ -S Secondary Strainer |
| _____ -DP Top-Set® Roof Deck Plate
(Replaces both -C and -R) | _____ -SC Secondary Clamping Collar |
| _____ -DR Top-Set® Drain Riser | _____ -TC Neo-Loc Test Cap Gasket
(2,3,4 [51,76,102] NL Bottom Outlet Only) |
| _____ -DT Decorative Polished Top (ZN and ZB Only) | _____ -XJ Vertical Expansion Joint (See Z190) |
| _____ -E Static Extension 1 [25] thru 4 [102] (Specify Ht.) | _____ -85 Stainless Steel Perforated Extension |
| _____ -EA Adjustable Extension Assembly
2-1/8 [54] thru 3-1/2 [89] | _____ -90 90° Threaded Side Outlet Body
(2,3,4,6 [51,76,102,152]) |

* Regularly furnished unless otherwise specified.