



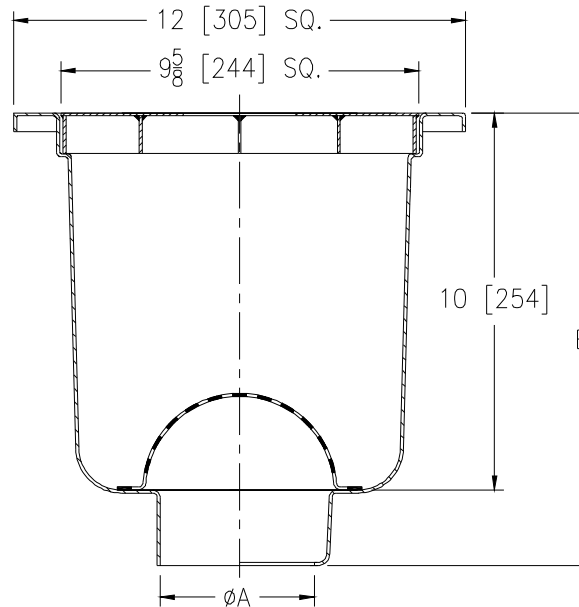
Z1752-18

12 X 12 [305 X 305] SANI-FLOR RECEPTOR 10 [254]
 SUMP DEPTH AND SOLID COVER W/ ONE 3 [76]
 SQUARE CENTER OPENING

SPECIFICATION SHEET

TAG _____

Dimensional Data (inches and [mm]) are Subject to Manufacturing Tolerances and Change Without Notice



A- Pipe Size In. [mm]	Approx. Wt. Lbs. [kg]	Grate Open Area Sq. In. [cm ²]
2,3,4 [51,76,102]	22 [10]	23 [148]
6 [152]	23 [10]	23 [148]

ENGINEERING SPECIFICATION: ZURN Z1752-18

12" x 12" x 10" [305mm x 305mm x 254mm] deep, 16 gage, All Type 304 (CF8) Stainless Steel light-duty Sani-Flor receptor with non-tilt, loose set solid cover with one 3" [76mm] square center opening and anti-splash stainless steel interior dome strainer.

OPTIONS (Check/specify appropriate options)

PIPE SIZE

2,3,4 [51,76,102]
 2 [51]
 3 [76]
 4 [102]
 2,3,4, 6 [51,76,102,152]
 2,3,4 [51,76,102]

(Specify size/type) OUTLET

_____ IC Inside Caulk
 _____ IP Threaded
 _____ IP Threaded
 _____ IP Threaded
 _____ NH No-Hub
 _____ NL Neo-Loc

'E' BODY HT. DIM.

12-9/16 [319]
 11-5/16 [287]
 11-9/16 [294]
 12-1/16 [306]
 12-1/16 [306]
 11-13/16 [300]

PREFIXES

_____ Z Type 304 (CF8) Stainless Steel Body*
 _____ ZM Type 316 (CF8M) Stainless Steel

SUFFIXES

_____ -DX	Dex-o-tex Flange	_____ -1	(Less) Grate
_____ -HD	Extra Heavy-Duty Grate	_____ -2	1/2 Grate
_____ -HP	Heel-Proof Grate	_____ -3	3/4 Grate
_____ -K	Anchor Flange	_____ -4	Full Grate w/ 3 [76] Square Center Opening
_____ -KC	Anchor Flange w/ Seepage Holes and Clamp Collar	_____ -5	Grate w/ 4 [102] Dia. x 3-3/4 [95] High Type 304 Stainless Steel Funnel
_____ -LSH	(Less) Seepage Holes	_____ -8	Grate w/ 8-3/8 x 3-5/8 x 3-3/4 [213 x 92 x 95] High Type 304 Stainless Steel Oval Funnel
_____ -P	1/2 [13] Trap Primer Connection	_____ -15	Solid Cover
_____ -SG	Solid Gasketed Cover	_____ -16	1/2 Solid Cover
_____ -TC	Neo-Loc Test Cap Gasket (2 - 4 [51 - 102] NL Bottom Outlet Only)	_____ -17	3/4 Solid Cover
_____ -VP	Vandal-Proof Secured Top	_____ -19	Full Hinged Grate
_____ -Y	Sediment Bucket	_____ -20	Full Hinged Solid Cover
_____ -YS	Suspended Sediment Bucket		

* Regularly furnished unless otherwise specified.