



ZX-415-A-FS

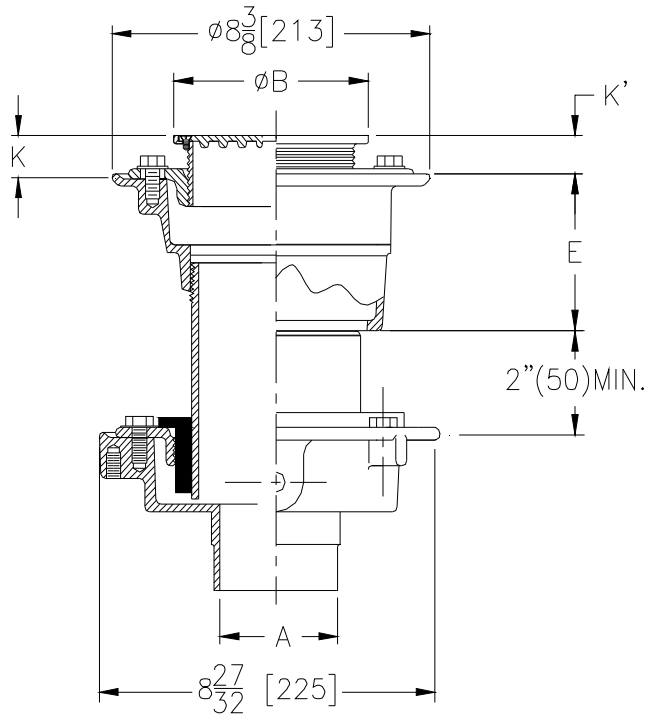
BODY ASSEMBLY WITH "TYPE A" STRAINER FOR FLOATING SLAB

SPECIFICATION SHEET

TAG _____



Dimensional Data (inches and [mm]) are Subject to Manufacturing Tolerances and Change Without Notice



Str. Desig.	Dimensions In Inches / [mm]						Approx. Wt. / Lbs. / (kg)	Strainer Open Area / Sq. In. / [sq cm]
	A Pipe Size	B Str. Dia.	K		K'			
			Min.	Max.	Min.	Max.		
-A5	2-3-4 [51-76-102]	5 [127]	1 [25]	2 [51]	1-5/8 [41]	2-5/8 [67]	20 [9.1]	7 [45]

ENGINEERING SPECIFICATION: ZURN ZX-415-A-FS

Floor and Shower Drain, Dura-Coated cast iron upper and lower bodies, combination invertible membrane clamps and adjustable collars with "Type A" heavy-duty Dura-Coated cast iron strainer. Floating slab drain features cast iron sleeve and watertight gasket.

OPTIONS (Check/specify appropriate options)

PIPE SIZE

- 2,3,4 [51,76,102]
- 2,3,4 [51,76,102]
- 2,3,4 [51,76,102]
- 2,3,4 [51,76,102]
- 2,3,4 [51,76,102]

(Specify size/type) **OUTLET**

- _____ IC Inside Caulk
- _____ IG Inside Gasket
- _____ IP Threaded
- _____ NH No-Hub
- _____ NL Neo-Loc

E BODY HT. DIM.

- 3-7/8 [98]
- 3-7/8 [98]
- 2-5/8 [67]
- 3-7/8 [98]
- 4-5/8 [117]

SUFFIXES

- _____ -AR Acid Resistant Epoxy Coated Cast Iron
- _____ -G Galvanized Cast Iron
- _____ -P 1/2 [13] Trap Primer Connection (Lower body)
- _____ -U 1 [25] - 3 [76mm] High Extension Adapter
- _____ -VP Vandal-Proof Secured Top
- _____ -X Squeezin Backwater Valve
- _____ -Y Sediment Bucket
- _____ -414 4 [102] Diameter Cast Iron Funnel

*REGULARLY FURNISHED UNLESS OTHERWISE SPECIFIED

REV.	DATE: 10/05/12	C.N. NO. 124783
DWG. NO. 310549		PRODUCT NO. ZX-415-A-FS