



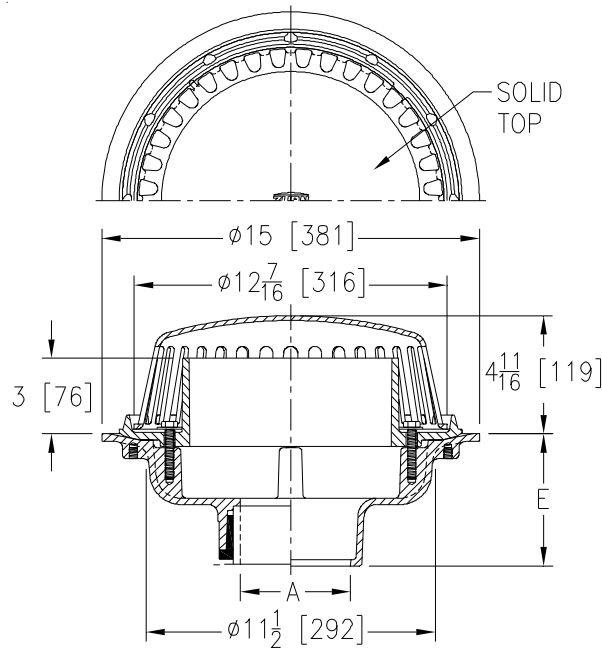
ZC100-ST-W3

15 [381] DIAMETER MAIN ROOF DRAIN W/ CAST IRON
DOME WITH SOLID TOP & 3 [76] INTERNAL WATER DAM

SPECIFICATION SHEET

TAG _____

Dimensional Data (inches and [mm]) are Subject to Manufacturing Tolerances and Change Without Notice



A Pipe Size In [mm]	Approx. Wt. Lbs. [kg]	Dome Open Area Sq. In. [cm ²]
2, 3, 4 [51, 76, 102]	45 [20]	60 [387]
6 [152]	42 [19]	
8 [203]	44 [20]	

ENGINEERING SPECIFICATION: ZURN ZC100-ST-W3

15" [381mm] Diameter roof drain. Dura-Coated cast iron body with combination membrane flashing clamp/gravel guard, 3" [76mm] high internal water dam and low silhouette cast iron dome with solid top.

OPTIONS (Check/specify appropriate options)

PIPE SIZE

- 3, 4, 6 [76, 102, 152]
- 2, 3, 4, 6, 8 [51, 76, 102, 152, 203]
- 2, 3, 4, 6, 8 [51, 76, 102, 152, 203]
- 2, 3, 4 [51, 76, 102]
- 6 [152]

(Specify size/type) **OUTLET**

- _____ IC Inside Caulk
- _____ IP Threaded
- _____ NH No-Hub
- _____ NL Neo-Loc
- _____ NL Neo-Loc

E BODY HT. DIM.

- 5-1/4 [133]
- 3-3/4 [95]
- 5-1/4 [133]
- 4-9/16 [116]
- 5-7/16 [112]

PREFIXES

- ___ ZC D.C.C.I. Body with Cast Iron Dome*

SUFFIXES

- | | |
|---------------------------------------------------------------------|----------------------------------------------------------------------------------|
| ___ -AC Angular Underdeck Clamp | ___ -EB Top-Set® Adjustable Extension Assembly |
| ___ -AR Acid Resistant Epoxy Coated | ___ -G Galvanized Cast Iron |
| ___ -C Underdeck Clamp | ___ -R Roof Sump Receiver |
| ___ -DE Deck Extension | ___ -SC Secondary Clamp Collar |
| ___ -DP Top-Set® Deck Plate
(Replaces both the -C and -R) | ___ -SS Stainless Steel Mesh Screen Over Dome |
| ___ -DR Top-Set® Drain Riser | ___ -TC Neo-Loc Test Cap Gasket
(2, 3, 4 [51, 76, 102] NL Bottom Outlet Only) |
| ___ -E Static Extension 1 [25] thru 4 [102]
(Specify Height) | ___ -VP Vandal-Proof Secured Top |
| ___ -EA Adjustable Extension Assembly
2-1/8 [54] thru 3-1/2 [89] | ___ -84 Stainless Steel Perforated Gravel Guard |
| | ___ -90 90° Threaded Side Outlet Body |

* Regularly furnished unless otherwise specified.