

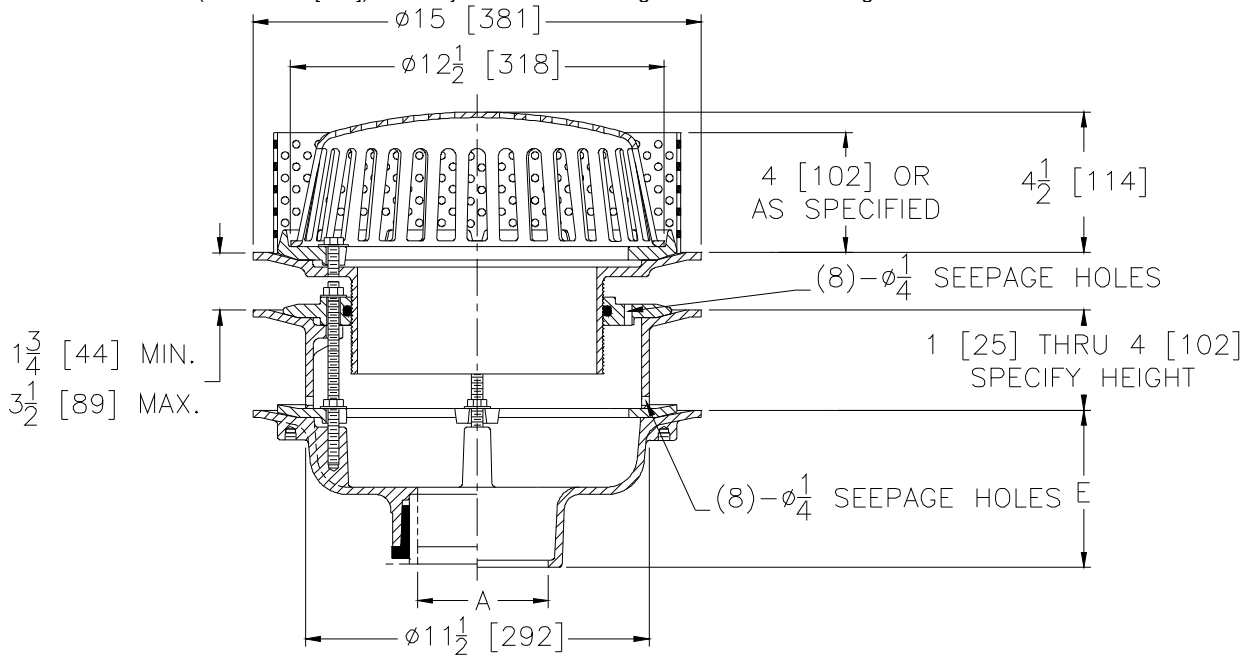


Z100-169

SPECIFICATION SHEET

15 [381] DIAMETER MAIN ROOF DRAIN
 W/SECONDARY CLAMP COLLAR, STATIC EXTENSION, ADJUSTABLE TAG
 EXTENSION, PERFORATED GRAVEL GUARD, & LOW SILHOUETTE DOME

Dimensional Data (inches and [mm]) are Subject to Manufacturing Tolerances and Change Without Notice



A- Pipe Size In.	Approx. Wt. Lbs. [kg]	Dome Open Area Sq. In. [cm ²]
2-3-4 [51-76-102]	48 [22]	103 [665]
5-6 [127-152]	52 [24]	
8 [203]	54 [25]	

ENGINEERING SPECIFICATION: ZURN Z100-169

15 [381] Diameter roof drain. Dura-Coated cast iron body with secondary clamp collar, static extension, adjustable extension, perforated gravel guard, combination membrane flashing clamp/gravel guard, and low silhouette cast iron dome.

OPTIONS (Check/specify appropriate options)

PIPE SIZE

- 2 thru 6-8 [51 thru 152-203]
- 2 thru 6-8 [51 thru 152-203]
- 2 thru 6-8 [51 thru 152-203]
- 2-3-4 [51-76-102]

(Specify size/type) **OUTLET**

- _____ IC Inside Caulk
- _____ IP Threaded
- _____ NH No-Hub
- _____ NL Neo-Loc

E BODY HT. DIM.

- 5 1/4 [133]
- 3 3/4 [95]
- 5 1/4 [133]
- 4 5/8 [117]

PREFIXES

- _____ Z D.C.C.I. Body with Poly-Dome
- _____ ZA D.C.C.I. Body with 6 3/4 [171] High Aluminum Dome
- _____ ZC D.C.C.I. Body with Cast Iron Dome*
- _____ ZRB D.C.C.I. Body with Plain Bronze Dome

SUFFIXES

- | | |
|--|--|
| _____ -AC Angular Underdeck Clamp | _____ -R Roof Sump Receiver |
| _____ -AR Acid Resistant Epoxy Coated | _____ -SS Stainless Steel Mesh Screen Over Dome |
| _____ -AW 3/4 [19] to 4 [102] Adj. Water Level Regulator | _____ -TC Neo-Loc Test Cap Gasket (2 - 4 [51 - 102] NL Bottom Outlet Only) |
| _____ -BS Bronze Mesh Screen Over Dome | _____ -VP Vandal-Proof Secured Top |
| _____ -C Underdeck Clamp | _____ -W2 2 [51] Internal Water Dam |
| _____ -DP Top-Set® Deck Plate (Replaces both the -C and -R) | _____ -W3 3 [76] Internal Water Dam |
| _____ -DR Top-Set® Drain Riser | _____ -W4 4 [102] Internal Water Dam |
| _____ -DX Dex-o-tex Flange | _____ -XJ Vertical Expansion Joint (See Z190) |
| _____ -EB Top-Set® Adjustable Extension Assembly | _____ -85 Stainless Steel Perforated Extension |
| _____ -FG Flush Grate (Replaces Dome Strainer) | _____ -89 2 [51] High External Water Dam |
| _____ -FS Flat Strainer (ZB or ZN) | _____ -90 90° Threaded Side Outlet Body (2 thru 6 [51 or 152]) |
| _____ -G Galvanized Cast Iron | |
| _____ -GD Galvanized Cast Iron Dome (ZC Only) | |
| _____ -HD 6 3/4 [171] High Aluminum Dome Strainer (148 Sq. In. [955 cm ²] Open Area) | |

*REGULARLY FURNISHED UNLESS OTHERWISE SPECIFIED

REV. DATE: 9/29/05 C.N. NO. 93837

DWG. NO. P-15207 PRODUCT NO. Z100-169

ZURN INDUSTRIES, INC. ♦ SPECIFICATION DRAINAGE OPERATION ♦ 1801 Pittsburgh Ave. ♦ Erie, PA 16514

Phone: 814/455-0921 ♦ Fax: 814/454-7929 ♦ World Wide Web: www.zurn.com

In Canada: ZURN INDUSTRIES LIMITED ♦ 3544 Nashua Drive ♦ Mississauga, Ontario L4V1L2 ♦ Phone: 905/405-8272 Fax: 905/405-1292