



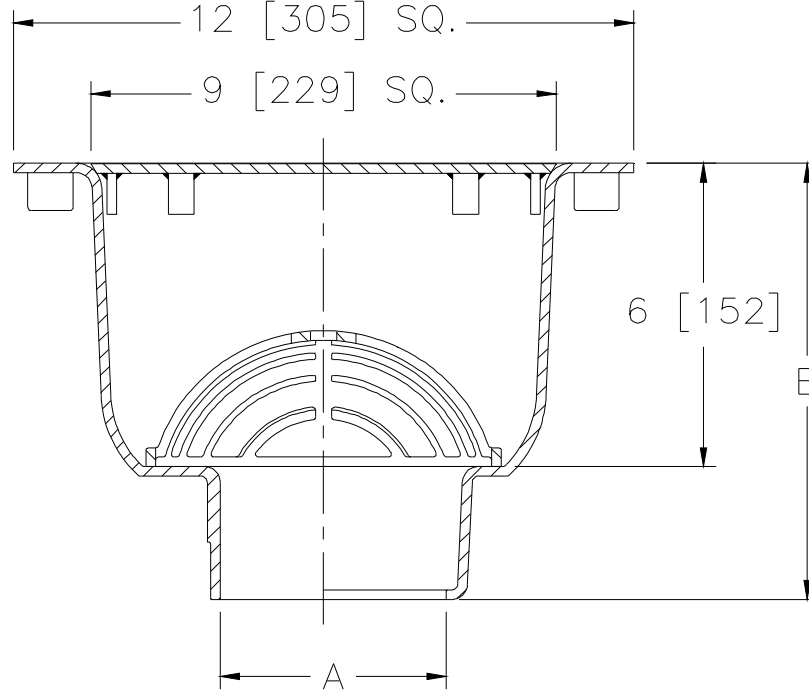
Z1900-15

12 x 12 [305 x 305] A.R.E. SANI-FLOR RECEPTOR 6 [152]
SUMP DEPTH W/ SOLID LOOSE SET COVER

SPECIFICATION SHEET

TAG _____

Dimensional Data (inches and [mm]) are Subject to Manufacturing Tolerances and Change Without Notice



A Pipe Size In [mm]	Approx Wt. Lbs.[kg]
2,3,4 [51,76,102]	26 [12]

ENGINEERING SPECIFICATION: ZURN Z1900-15

Sani-Flor Receptor 12" x 12" x 6" [305mm x 305mm x 152mm] deep cast iron body and solid loose set cover, with white acid resisting porcelain enamel interior and top, black ground enamel exterior coating, and white ABS anti-splash interior bottom dome strainer.

OPTIONS (Check/specify appropriate options)

PIPE SIZE

3,4 [51,76,102]
2,3,4 [51,76,102]
2,3,4 [51,76,102]

(Specify size/type) OUTLET

___ IC Inside Caulk
___ NH No-Hub
___ NL Neo-Loc

'E' BODY HT. DIMENSION

Z	ZN
8-5/8 [219]	9-1/8 [232]
8-5/8 [219]	9-1/8 [232]
8 [203]	8-1/2 [216]

PREFIXES

___ Z Cast Iron Body with White A.R.E. Interior*
___ ZN Cast Iron Body with White A.R.E. Interior, 12-1/2 [317] Square N.B. Frame and Cover

SUFFIXES

___ -DX Dex-O-Tex Flange (ZN Only)	___ -VPS Vandal-Proof Strainer
___ -K Anchor Flange with Seepage Holes	___ -11 Vandal-Proof Secured Grate (ZN Only)
___ -KC Anchor Flange with Seepage Holes and Clamp Collar	___ -23 Aluminum Bucket
___ -LD (Less) Bottom Dome Strainer	___ -25 White A.R.C. Bucket
___ -P 1/2 [13] Trap Primer Connection (See Z1023)	___ -31 Stainless Steel Mesh Liner for Bucket
___ -SA Stabilizer Assembly (See Z1903)	___ -32 Aluminum Dome Strainer
___ -TC Neo-Loc Test Cap Gasket (2,3,4 [51,76,102] NL Bottom Outlet Only)	___ -33 White A.R.C. Anti-Splash Bottom Dome Strainer

* Regularly furnished unless otherwise specified.

Zurn Industries, LLC | Specification Drainage Operation
1801 Pittsburgh Avenue, Erie, PA U.S.A. 16502 · Ph. 855-663-9876, Fax 814-454-7929
In Canada | Zurn Industries Limited
3544 Nashua Drive, Mississauga, Ontario L4V 1L2 · Ph. 905-405-8272, Fax 905-405-1292
www.zurn.com

Rev. D
Date: 10/11/2017
C.N. No. 138678
Prod. | Dwg. No. Z1900-15