



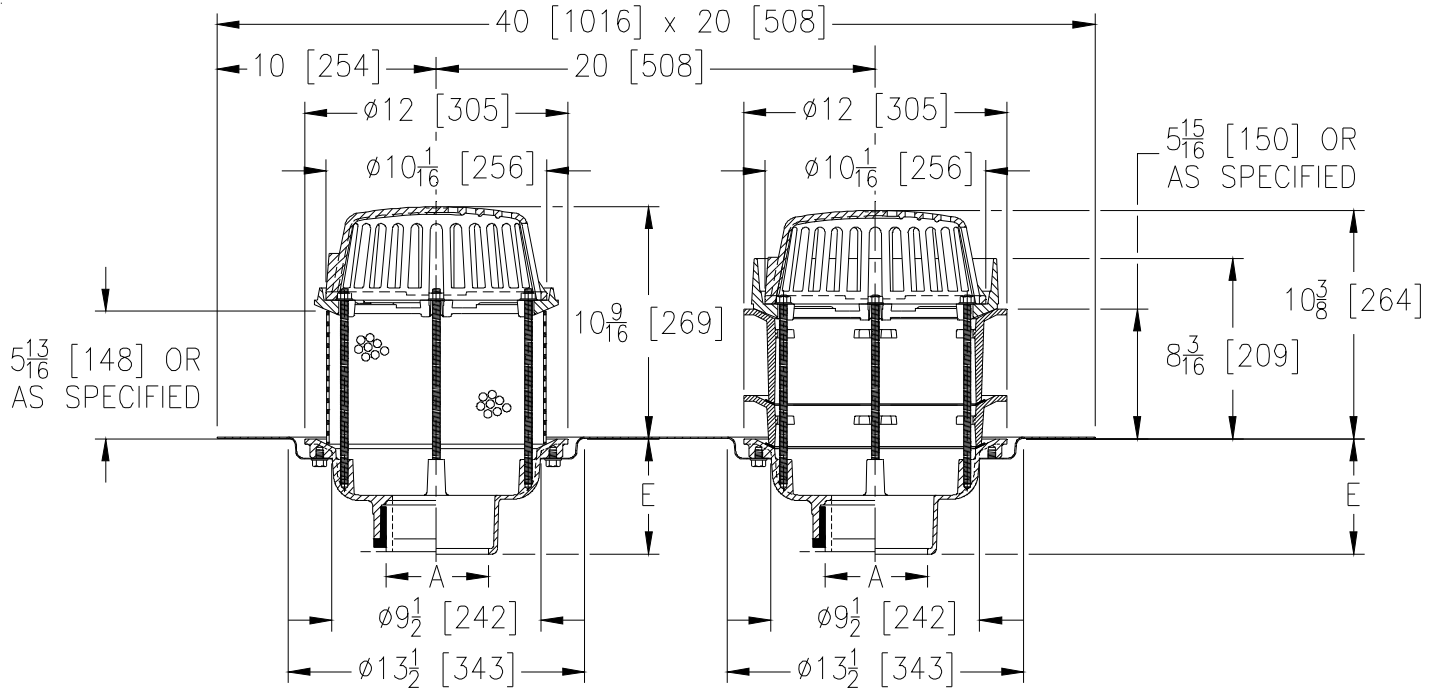
Z164-79

Ø12 [305] COMBINATION MAIN ROOF W/ PERFORATED
EXTENSION & OVERFLOW DRAIN W/ STATIC EXTENSIONS,
LOW SILHOUETTE DOMES & DOUBLE TOP-SET® DECK PLATE

SPECIFICATION SHEET

TAG _____

Dimensional Data (inches and [mm]) are Subject to Manufacturing Tolerances and Change Without Notice



A Pipe Size In.	Approx. Wt. Lbs. [kg]	Dome Open Area Sq. In. [cm ²]
2 thru 6 [51 thru 52]	66 [30]	78 [503]

ENGINEERING SPECIFICATION: ZURN Z164-79

12 [305] Diameter roof drain and overflow drain, Dura-Coated cast iron bodies with extensions, combination membrane flashing clamp/gravel guards, double Top-Set® deck plate, and low silhouette cast iron domes.

OPTIONS (Check/specify appropriate options)

PIPE SIZE

- 2 thru 6 [51 thru 152]
- 2 thru 6 [51 thru 152]
- 2 thru 6 [51 thru 152]
- 2-3-4 [51-76-102]

(Specify size/type) OUTLET

- _____ IC Inside Caulk
- _____ IP Threaded
- _____ NH No-Hub
- _____ NL Neo-Loc

E BODY HT. DIM.

- 5-1/4 [133]
- 3-3/4 [95]
- 5-1/4 [133]
- 4-5/8 [117]

PREFIXES

- ___ Z D.C.C.I. Body with Dome (4-1/4 [108] Dome Height)*
- ___ ZA D.C.C.I. Body with Aluminum Dome (6-9/16 [167] Dome Height)
- ___ ZRB D.C.C.I. Body with Plain Bronze Dome (3-7/8 [98] Dome Height)

SUFFIXES

- ___ -AR Acid Resistant Epoxy Coated Finish
- ___ -BS Bronze Mesh Screen Over Dome
- ___ -E Static Extension 1 thru 4 [25 thru 102] (Specify Ht.)
- ___ -G Galvanized Cast Iron
- ___ -SC Secondary Clamping Collar
- ___ -SS Stainless Steel Mesh Screen Over Dome
- ___ -TC Neo-Loc Test Cap Gasket (2-4 [51-102] NL Bottom Outlet Only)
- ___ -VP Vandal-Proof Secured Top
- ___ -XJ Vertical Expansion Joint (See Z190)
- ___ -84 Stainless Steel Perforated Gravel Guard
- ___ -85 Stainless Steel Perforated Extension

*REGULARLY FURNISHED UNLESS OTHERWISE SPECIFIED

REV. DATE: 05/02/12 C.N. NO. 124207

DWG. NO. 309628

PROD. NO. Z164-79

ZURN INDUSTRIES, LLC. ♦ SPECIFICATION DRAINAGE OPERATION ♦ 1801 Pittsburgh Ave. ♦ Erie, PA 16514

Phone: 814/455-0921 ♦ Fax: 814/454-7929 ♦ World Wide Web: www.zurn.com

In Canada: ZURN INDUSTRIES LIMITED ♦ 3544 Nashua Drive ♦ Mississauga, Ontario L4V1L2 ♦ Phone: 905/405-8272 Fax: 905/405-1292