



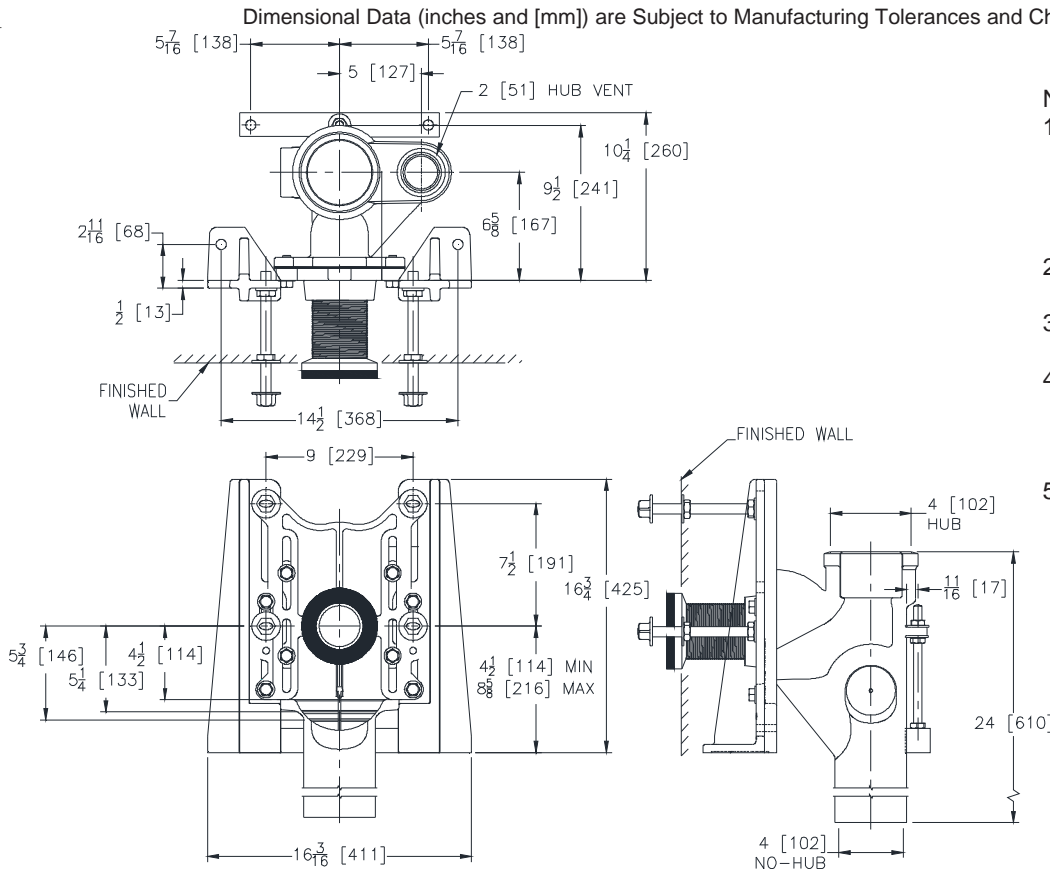
# Z1202-H4-XH

EZCARRY® EXTRA HEAVY-DUTY 750 LBS [340KG]  
ADJUSTABLE VERTICAL HIGH PERFORMANCE SIPHON JET  
HUB AND SPIGOT WATER CLOSET CARRIER SYSTEM

SPECIFICATION SHEET

TAG \_\_\_\_\_

Dimensional Data (inches and [mm]) are Subject to Manufacturing Tolerances and Change Without Notice



**Note:**

1. Z coupling, Min. 'P' Dim. Obtainable=2 [51] EZ-Set™ Coupling, Min. 'P' Dim. Obtainable=4-1/4 [108] or 2-1/16 [52] for 12 [305] NPT
2. Feet bolted to floor using min. 1/2 [13] dia. anchors.
3. Rear anchor foot required for secure installation.
4. 2 [51] Hub & Spigot vent connection regularly furnished on right hand side. Left hand available when specified (Suffix -VL)
5. Auxiliary inlet available right (-JR) or left (-JL) or both sides (-JJ) when specified.

Product Number	Approx. Wt. lbs [kg]
Z1202-H4-XH	79 [36]

**ENGINEERING SPECIFICATION: ZURN Z1202-H4-XH**

EZCarry® vertical siphon jet water closet carrier system with high performance waterway and 4" [102mm] hub and spigot connections. System includes Dura-Coated cast iron main fitting with hydro-mechanically optimized sweep and extended 2" [51mm] vent, adjustable gasketed faceplate, floor mounted pre-fab slotted foot supports with top anchoring pre-fab support base, heavy-duty 1/2" [13mm] rear anchor tie down, fixture bolts, trim, stud protectors, bonded "Neo-Seal" gasket, and corrosion resistant, adjustable 3" [76mm] dia. X 6" [152mm] coupling with integral test cap designed to increase flow velocity and line carry. EZCarry® XH system complies with the requirements of ASME A112.6.1M up to a 750 lbs [340 kg] maximum static load rating.

**OPTIONS** (Check/specify appropriate options)

\_\_\_ Z1202-H4-XH 4 [102] Hub and Spigot Stack, Single Inlet, 2 [51] Right Hand Vent

**PREFIXES**

- \_\_\_ Z D.C.C.I. System with Zurn ZZ Adjustable Coupling\*  
\_\_\_ ZQ D.C.C.I. System with NPT Faceplate, Non-Adjustable Coupling

**SUFFIXES**

- |   |   |
|---|---|
| ___ -A Auxiliary Support Assembly (For 'P' Dim. Greater than 18 [457])  | ___ -JJ Two 2 [51] Auxiliary Inlets                                   |
| ___ -CC Corrosion Resistant Cast Iron Coupling (2-1/4 [57] to 12 [305])   | ___ -JL 2 [51] Left-Hand Auxiliary Inlet                              |
| ___ -CE EZ-Set™ Coupling (NPSM 6 [152] ,12 [305] or custom) (NPT 12 [305] or custom)                              | ___ -JR 2 [51] Right-Hand Auxiliary Inlet                             |
| ___ -CL Custom Length Standard Coupling with Integral Test Cap (Specify Length 4, 8, 10, 12 [102, 203, 254, 305]) | ___ -M Auxiliary Foot Support (for 'P' Dim. 7 thru 18 [178 thru 457]) |
| ___ -CS 2-1/4 [57] Polymer Coupling with Integral Test Cap  | ___ -RYK17 One Piece Unistrut Pre-Fab Foot                            |
| ___ -F Floor Mounted, Back Outlet Fixture Support   | ___ -VL Left Hand Vent Connection                                     |
| ___ -G Galvanized Cast Iron   | ___ -VP Vandal-Proof Trim   |
|   | ___ -45 Finishing Frame for Siphon Jet System                         |
|   | ___ -50 Flush Valve Supply Support for Water Closets                  |

\* Regularly furnished unless otherwise specified.