



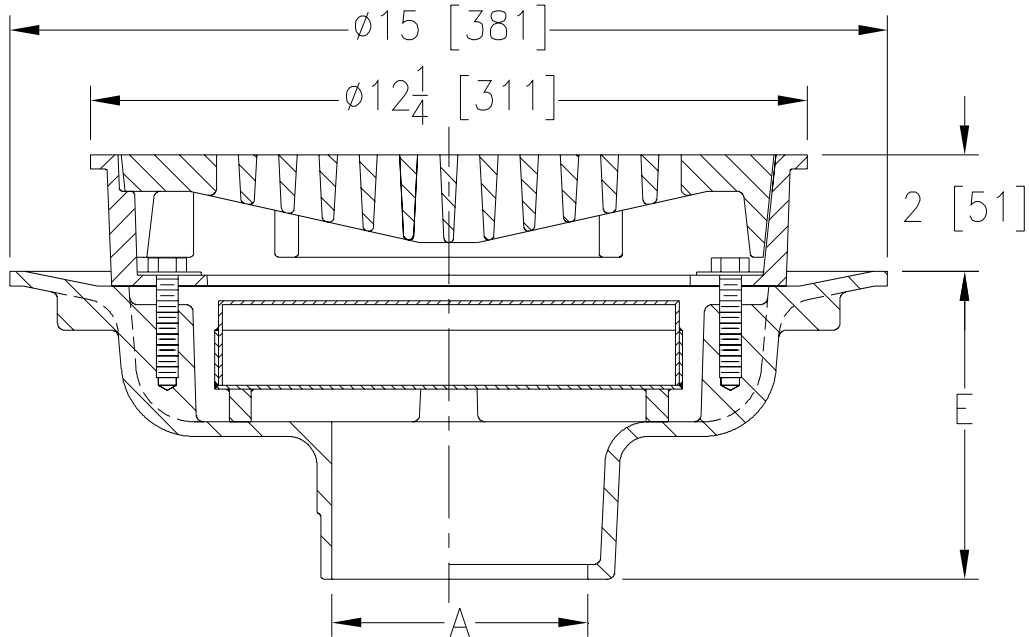
# Z505-81

## 12 [305] HEAVY DUTY DRAIN W/ SOLID FREE-STANDING BUCKET

SPECIFICATION SHEET

TAG \_\_\_\_\_

Dimensional Data (inches and [ mm ]) are Subject to Manufacturing Tolerances and Change Without Notice



A Pipe Size In.	Approx. Wt. Lbs. [kg]	Grate Open Area Sq. In. [cm <sup>2</sup> ]
2-3-4-5 [51-76-102-127]	38 [17]	30 [194]

**ENGINEERING SPECIFICATION: ZURN Z505-81**

12 [305] Diameter top drain. Dura-Coated cast iron body with bottom outlet, seepage pan and combination membrane flashing clamp, frame for heavy duty deep flange slotted grate, and solid free-standing bucket.

**OPTIONS** (Check/specify appropriate options)

**PIPE SIZE**

- 2 thru 5 [51, 76, 102, 127]
- 2 thru 4 [51, 76, 102]
- 2 thru 5 [51, 76, 102, 127]
- 2 thru 5 [51, 76, 102, 127]
- 2 thru 4 [51, 76, 102]

(Specify size/type) **OUTLET**

- \_\_\_ IC Inside Caulk
- \_\_\_ IG Inside Caulk w/Sealtrol Gskt.
- \_\_\_ IP Threaded
- \_\_\_ NH No-Hub
- \_\_\_ NL Neo-Loc

**'E' BODY HT. DIM.**

- 5 1/4 [133]
- 5 1/4 [133]
- 3 3/4 [95]
- 5 1/4 [133]
- 4 5/8 [117]

**PREFIXES**

- \_\_\_ Z D.C.C.I. Body and Top\*
- \_\_\_ ZB D.C.C.I. Body with Polished Bronze Top (Add 3/16 [5] to 2 [51] Dim. and 11/16 [17] to 12 1/4 [311] Dim.)
- \_\_\_ ZN D.C.C.I. Body with Polished Nickel Bronze Top (Add 3/16 [5] to 2 [51] Dim. and 11/16 [17] to 12 1/4 [311] Dim.)

**SUFFIXES**

- |  |   |
|--|---|
| <ul style="list-style-type: none"> <li>___ -AR Acid Resisting Epoxy Coated Cast Iron</li> <li>___ -D Dome Grate</li> <li>___ -DG Duresist Grate</li> <li>___ -F Extension Frame (Specify Total Height Req'd.)</li> <li>___ -G Galvanized Cast Iron</li> <li>___ -HP Heel-Proof Grate</li> <li>___ -HT Square Hinged Grate</li> <li>___ -P Trap Primer Connection</li> <li>___ -S Secondary Strainer</li> </ul> | <ul style="list-style-type: none"> <li>___ -SC Solid Cover</li> <li>___ -T Square Top</li> <li>___ -TC Neo-Loc Test Cap Gasket<br/>(2 [51]-4 [102] NL Bottom Outlet Only)</li> <li>___ -TS Top Secured with Slotted Screws</li> <li>___ -V Backwater Valve (See Z1099)</li> <li>___ -VP Vandal-Proof Secured Top</li> </ul> |
|--|---|

<b>REV.</b>	<b>DATE: 9/25/07</b>	<b>C.N. NO. 97385</b>
<b>DWG. NO. P-15480 PRODUCT NO. Z505-81</b>		

\*REGULARLY FURNISHED UNLESS OTHERWISE SPECIFIED