



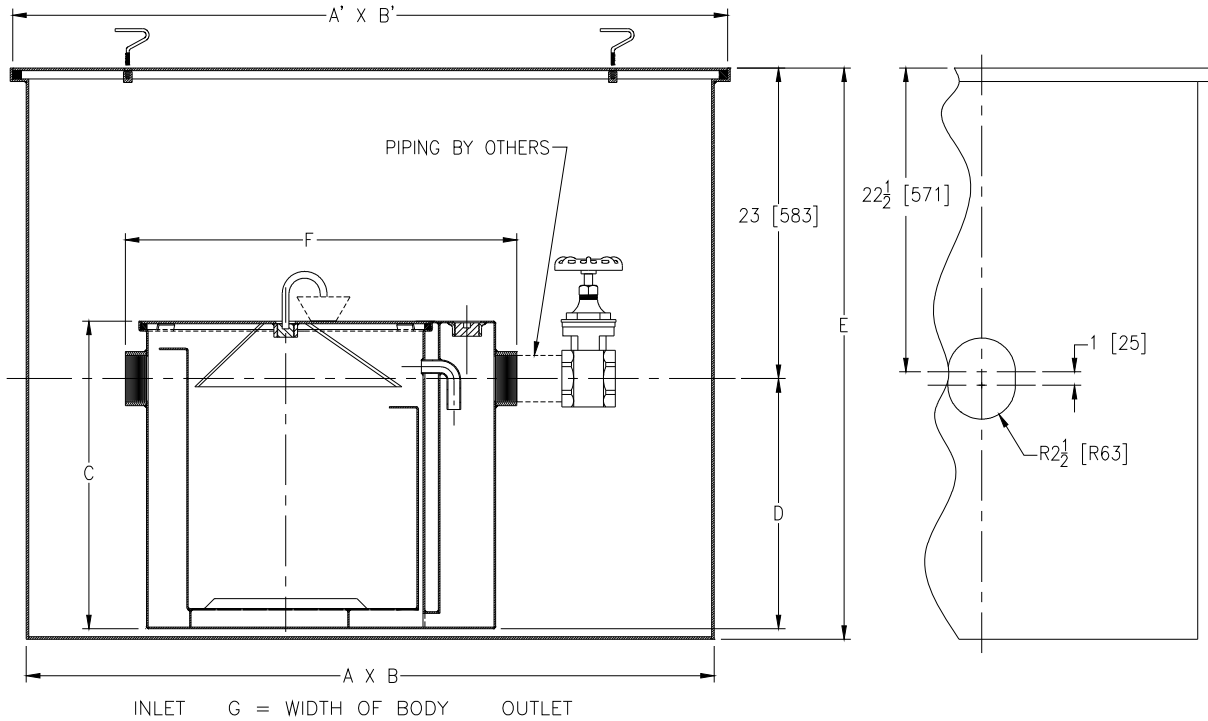
Z1173-TD-77

GREASE INTERCEPTOR W/ GREASE ACCUMULATING CONE, INLINE SHUT-OFF VALVE AND RECESSING RECEIVER

SPECIFICATION SHEET

TAG _____

Dimensional Data (inches and [mm]) are Subject to Manufacturing Tolerances and Change Without Notice



Size	Inlet/Outlet Size**	Flow Rate G.P.M. [L]	Capacity		Approx. Wt. Lbs. [kg]
			Water Gal. [L]	Grease Lbs. [kg]	
900	3 [76]	75 [284]	65 [246]	150 [68]	447 [203]

Dimensions in Inches									
Size	A	A'	B	B'	C	D	F	G	E
900	51[1295]	53[1346]	32[813]	34[864]	22 3/4[578]	18 1/2[470]	36[914]	28 5/8[727]	42 1/4[1073]

ENGINEERING SPECIFICATION: ZURN Z1173-TD-77 Acid Resistant Coated interior and exterior fabricated steel grease interceptor, rated at ___ GPM and ___ Lbs. grease capacity, with internal air relief by-pass, bronze cleanout plug and visible double wall trap seal with removable combination pressure equalizing/flow diffusing baffle and sediment tray. Gasketed non-skid secured cover with draw off port having bronze plug, grease accumulating cone, NPT to hose adaptor, 2' [610] flexible hose, hose clamp, and an in line closure valve. Complete with Acid Resistant Coated interior and exterior fabricated steel recessing receiver with support brackets and gasketed non-skid cover with lift handles and Z1108 Flow Control Fitting. Regularly furnished inlet and outlet in high position. Note: Location of outlet from bottom of interceptor cannot be changed.

PREFIXES

___ Z Acid Resistant Coated Fabricated Steel*

SUFFIXES

___ -L Angle type (Z-1108-L) flow control device with plunger (no additional charge).

*REGULARLY FURNISHED UNLESS OTHERWISE SPECIFIED

REV.	DATE: 09/13/05	C.N. NO. 93772
DWG. NO. P-15197 PRODUCT NO. Z1173-TD-77		

ZURN INDUSTRIES, INC. ♦ SPECIFICATION DRAINAGE OPERATION ♦ 1801 Pittsburgh Ave. ♦ Erie, PA 16514

Phone: 814/455-0921 ♦ Fax: 814/454-7929 ♦ World Wide Web: www.zurn.com

In Canada: ZURN INDUSTRIES LIMITED ♦ 3544 Nashua Drive ♦ Mississauga, Ontario L4V1L2 ♦ Phone: 905/405-8272 Fax: 905/405-1292