



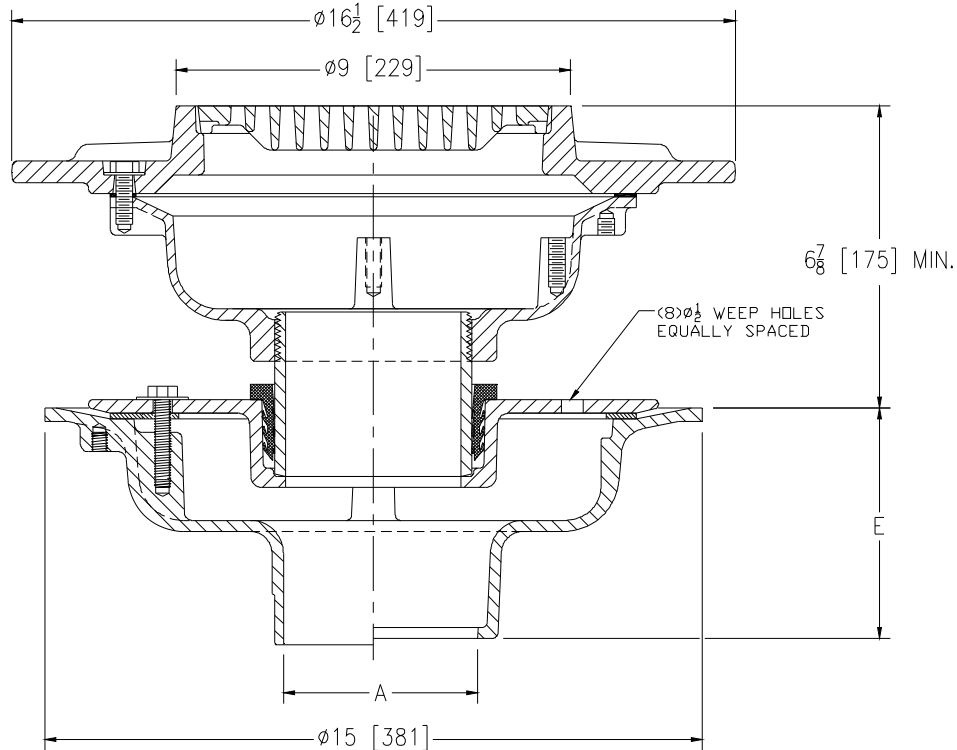
Z627-100

SPECIFICATION SHEET

ISOLATION DECK HEAVY-DUTY PARKING DECK DRAIN

TAG _____

Dimensional Data (inches and [mm]) are Subject to Manufacturing Tolerances and Change Without Notice



A Pipe Size	Approx. Wt. Lbs. [kg]	Grate Open Area Sq. In. [cm ²]
2, 3, 4 [51, 76, 102]	70 [32]	16 [103]
5, 6 [127, 152]		

ENGINEERING SPECIFICATION: ZURN Z627-100

Adjustable isolation deck drain, Dura-Coated cast iron lower body, clamp collar, neoprene flex gasket, isolation nipple and 9 [229] diameter round heavy-duty parking deck drain with Duresist slotted grate.

OPTIONS (Check/specify appropriate options)

PIPE SIZE

- 2 thru 6 [51 thru 152]
- 2 thru 4, 6 [51 thru 102, 152]
- 2 thru 6 [51 thru 152]
- 2 thru 6 [51 thru 152]
- 2 thru 4 [51 thru 102]

(Specify size/type) OUTLET

- ___ IC Inside Caulk
- ___ IG Inside Gasket
- ___ IP Threaded
- ___ NH No-Hub
- ___ NL Neo-Loc

'E' BODY HT. DIM.

- 5-1/4 [133]
- 5-1/4 [133]
- 3-3/4 [95]
- 5-1/4 [133]
- 4-5/8 [117]

PREFIXES

- ___ Z D.C.C.I. Body and Top*
- ___ ZB D.C.C.I. Body w/Polished Bronze Top (Add 3/16 [5] to 2 [51] dim. & 3/4 [19] to 9 [229] dim.)
- ___ ZN D.C.C.I. Body w/Polished Nickel Bronze Top (Add 3/16 [5] to 2 [51] dim. & 3/4 [19] to 9 [229] dim.)

SUFFIXES

- ___ -C Underdeck Clamp (Lower Body)
- ___ -G Galvanized Cast Iron
- ___ -R Sump Receiver (Lower Body)
- ___ -S Secondary Strainer
- ___ -TS Top Secured with Slotted Screws
- ___ -VP Vandal-Proof Secured Top
- ___ -Y Sediment Bucket

*REGULARLY FURNISHED UNLESS OTHERWISE SPECIFIED

REV. DATE: 02/01/12 C.N. NO. 122835

DWG. NO. 308849 PRODUCT NO. Z627-100

ZURN INDUSTRIES, LLC ♦ SPECIFICATION DRAINAGE OPERATION ♦ 1801 Pittsburgh Ave. ♦ Erie, PA 16514

Phone: 814/455-0921 ♦ Fax: 814/454-7929 ♦ World Wide Web: www.zurn.com

In Canada: ZURN INDUSTRIES LIMITED ♦ 3544 Nashua Drive ♦ Mississauga, Ontario L4V1L2 ♦ Phone: 905/405-8272