



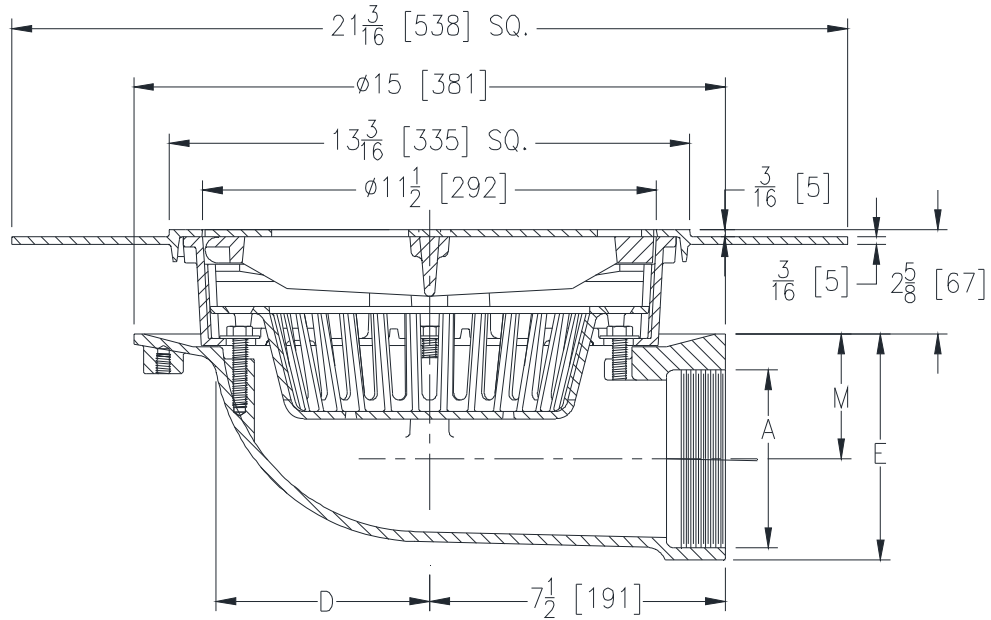
Z610-DX-90

13-3/16 [335] SQUARE TOP HEAVY-DUTY
DRAIN WITH DEX-O-TEX FLANGE AND SIDE OUTLET

SPECIFICATION SHEET

TAG _____

Dimensional Data (inches and [mm]) are Subject to Manufacturing Tolerances and Change Without Notice



Dimensions in Inches [mm]			Approx. Wt. Lbs. [kg]	Grate Open Area Sq. In
A' Pipe Size	D'	M'		
2 [51]	5-7/16 [138]	4-1/4 [108]	68 [31]	42 [271]
3 [76]	5-7/16 [138]	3-11/16 [94]	67 [30]	
4 [102]	5-7/16 [138]	3-3/16 [81]	66 [30]	
6 [152]	5-1/2 [140]	4-1/4 [108]	77 [35]	

ENGINEERING SPECIFICATION: ZURN Z610-DX-90

13-3/16" [335mm] Square top drain, Dura-Coated cast iron body with side outlet, seepage pan and combination membrane flashing clamp and frame for heavy-duty cast iron loose slotted grate, with suspended polypropylene sediment bucket, and Dex-O-Tex flange for liquid applied flooring.

OPTIONS (Check/specify appropriate options)

PIPE SIZE

2, 3, 4 [51, 76, 102]
6 [152]

(Specify size/type) **OUTLET**

_____ IP Threaded
_____ IP Threaded

'E' BODY HT. DIM.

5-3/4 [146]
7-7/8 [200]

PREFIXES

_____ ZB D.C.C.I Body w/Polished Bronze Top
_____ ZN D.C.C.I Body w/Polished Nickel Bronze Top.*

SUFFIXES

_____ -AR Acid Resistant Epoxy Coated Cast Iron	_____ -HLC Hinged Locking Cover
_____ -DG Duresist Grate	_____ -LY (Less) Sediment Bucket
_____ -DS Ductile Iron Solid Cover	_____ -SC Solid Cover
_____ -F 2 [51] High Extension	_____ -SS Stainless Steel Mesh Liner for Bucket
_____ -G Galvanized Cast Iron	_____ -TS Top Secured with Slotted Screws
_____ -H Hinged Grate	_____ -VP Vandal-Proof Secured Top
_____ -HC Hinged Solid Cover	_____ -YA Aluminum Sediment Bucket
_____ -HL Hinged Locking Grate	_____ -YC Cast Iron Sediment Bucket

* Regularly furnished unless otherwise specified.