



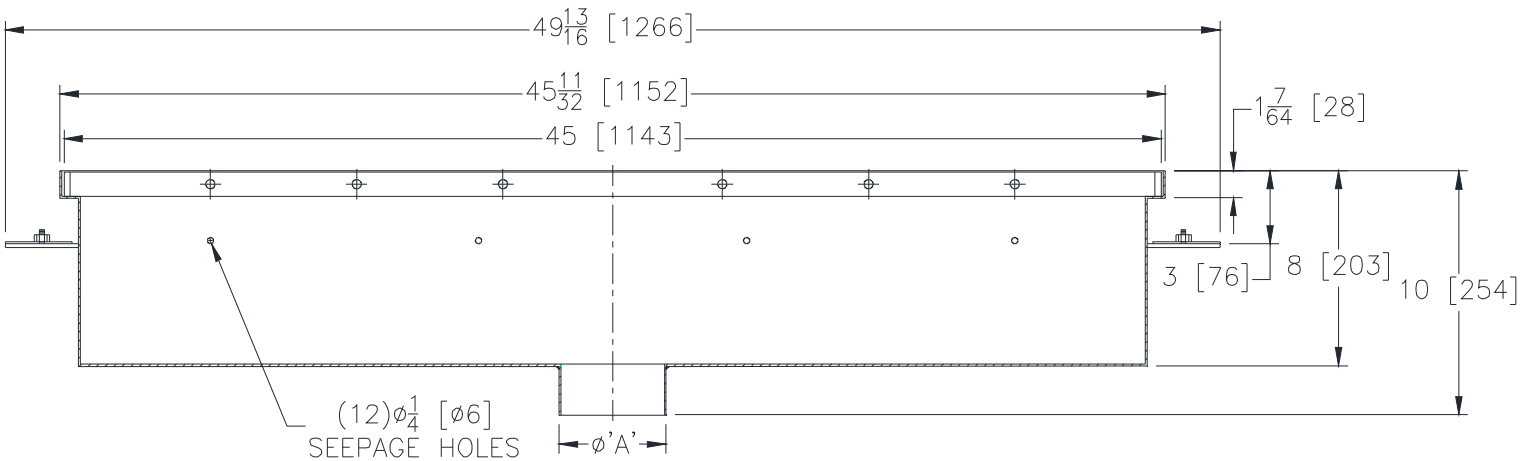
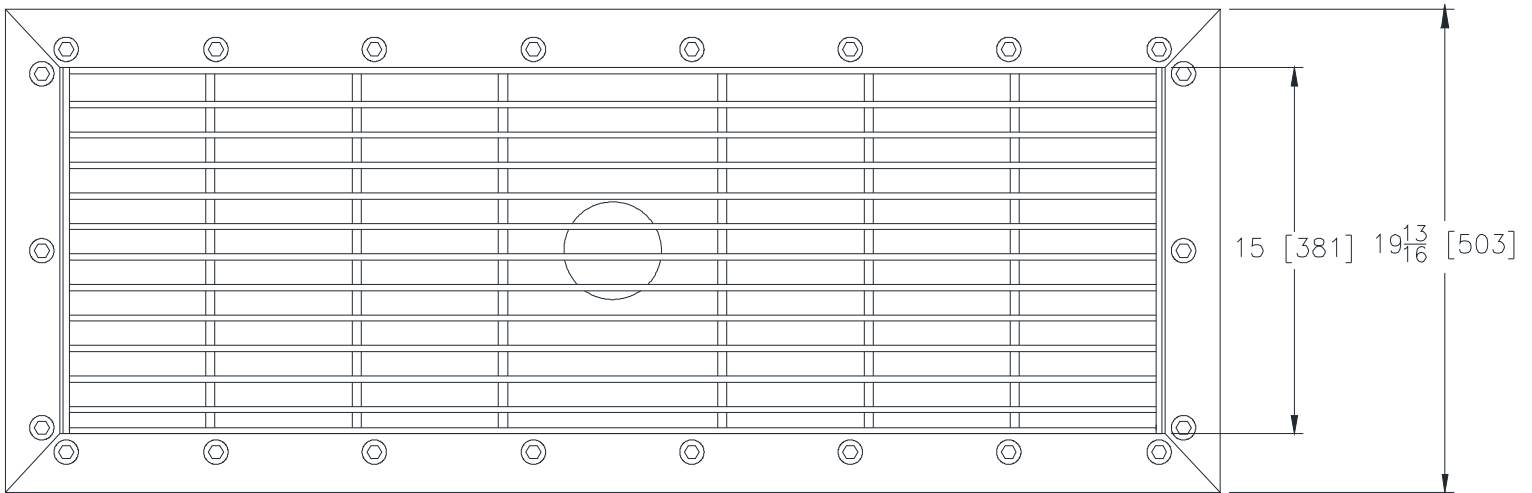
# Z1761-100

15 X 45 [381 X 1143] KETTLE DRAIN  
 W/ 8 [203] SUMP DEPTH, ANCHOR FLANGE, &  
 CLAMPING COLLAR

SPECIFICATION SHEET

TAG \_\_\_\_\_

Dimensional Data (inches and [ mm ]) are Subject to Manufacturing Tolerances and Change Without Notice



| A<br>Pipe Size In.<br>[mm] | Approx.<br>Wt. Lbs.<br>[kg] | Grate Open Area<br>Sq. In. [cm <sup>2</sup> ] |
|----------------------------|-----------------------------|---|
| 4,6,8 [102,152,203]        | 84 [38]                     | 500 [3226]                                    |

**ENGINEERING SPECIFICATION: ZURN ZS1761-100**  
 15" [381mm] x 45" [1143mm] x 8" [203mm] deep, 14 gage, All Type 304 (CF8) Stainless Steel light duty Kettle Drain with, loose set full grate, anchor flange, and clamping collar.

**OPTIONS** (Check/specify appropriate options)

**PIPE SIZE**

4,6,8 [102,152,203]

(Specify size) **OUTLET**

\_\_\_ NH No-Hub

**PREFIXES**

- \_\_\_ Z A.R.E. Coated Fabricated Steel Body and Type 304 (CF8) Stainless Steel Grate
- \_\_\_ ZS Type 304 (CF8) Stainless Steel Body and Grate\*
- \_\_\_ ZM Type 316 (CF8M) Stainless Steel Body and Grate

\* Regularly furnished unless otherwise specified.