

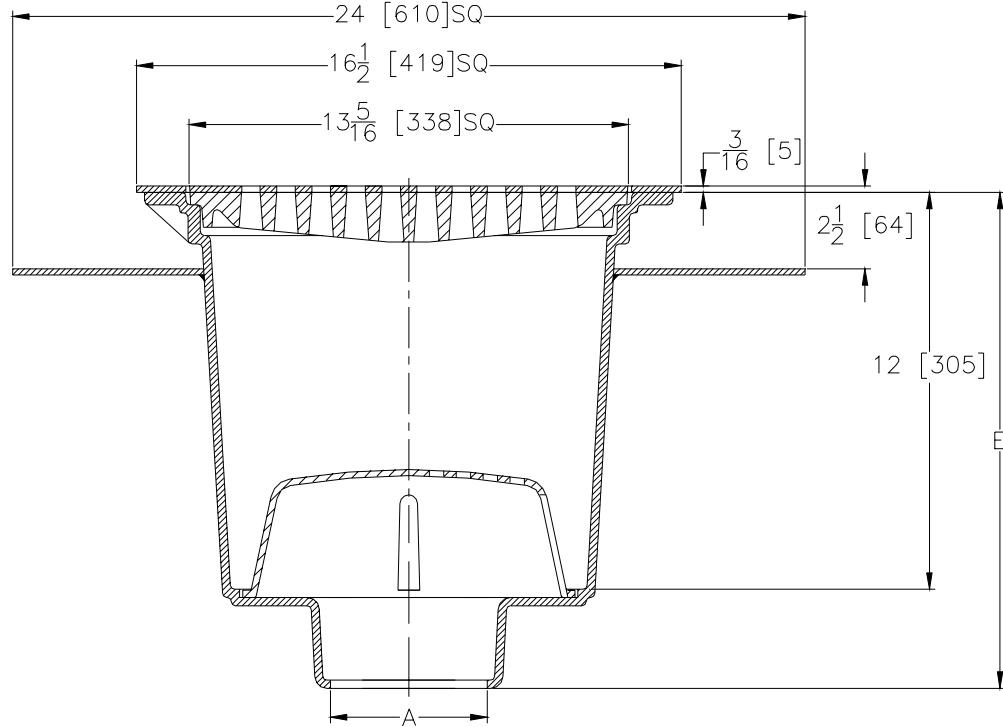


ZN-1920-79
16 X 16 A.R.E. SANI-FLOR RECEPTOR
12 SUMP DEPTH

SPECIFICATION SHEET

TAG _____

Dimensional Data (inches and [mm]) are Subject to Manufacturing Tolerances and Change Without Notice



A Pipe Size In.	Approx. Wt. Lbs	Grate Open Area Sq. In.
2-3-4-6-8[52-76-102-152-203]	83[38]	54[348]

ENGINEERING SPECIFICATION: ZURN ZN-1920-79 Wide Flange Sani-Flor Receptor 16" x 16" x 12"[406 x 406 x 305] deep cast iron body and square slotted heavy duty grate, nickel bronze frame and grate, with white acid resisting coated interior and top, complete with aluminum anti-splash interior bottom dome strainer.

OPTIONS (Check/specify appropriate options)

OUTLET

- ___ **IC** Inside Caulk
- ___ **IC** Inside Caulk

PIPE SIZE (Specify size)

- ___ 2", 3", 4", 6"[52, 76, 102, 152]
- ___ 8"[203]

'E' BODY HT. DIMENSION

- 14-3/4"[375]
- 15-1/4"[387]

PREFIXES

- ___ **ZN-** Cast Iron Body with White A.R.E. Interior, 16-1/2"[419] Square N.B. Frame and Full Grate*

SUFFIXES

- ___ **-C** Clamping Collar
- ___ **-LD** (Less) Bottom Dome Strainer
- ___ **-P** 1/2"[13] Trap Primer Connection
- ___ **-1** (Less) Grate
- ___ **-2** 1/2 Grate
- ___ **-3** 3/4 Grate
- ___ **-4** Full Grate w/2"[52] Sq. Center Opening
- ___ **-5** Grate w/4"[102] Dia. x 3-3/4"[95] High Funnel
- ___ **-6** Grate w/6"[152] Dia. x 6"[152] High Funnel
- ___ **-7** Grate w/6-3/4" x 3" x 1"[171 x 76 x 25] High Oval Funnel
- ___ **-8** Grate w/8-7/8" x 3-5/8" x 3-3/4"[225 x 92 x 95] High Oval Funnel
- ___ **-11** Vandal Proof Secured Grate
- ___ **-15** Solid Loose Set Cover
- ___ **-16** 1/2 Solid Loose Set Cover
- ___ **-17** 3/4 Solid Loose Set Cover
- ___ **-18** Solid Loose Set Cover w/2"[52] Sq. Center Opening
- ___ **-23** Aluminum Bucket
- ___ **-25** White A.R.E. Bucket
- ___ **-31** Stl. Steel Mesh Liner for Bucket
- ___ **-33** White A.R.E. Anti-Splash Bottom Dome Strainer

*REGULARLY FURNISHED UNLESS OTHERWISE SPECIFIED

REV.	DATE: 12/12/01	C.N. NO. 88211
DWG. NO. P-14862 PRODUCT NO. ZN-1920-79		