

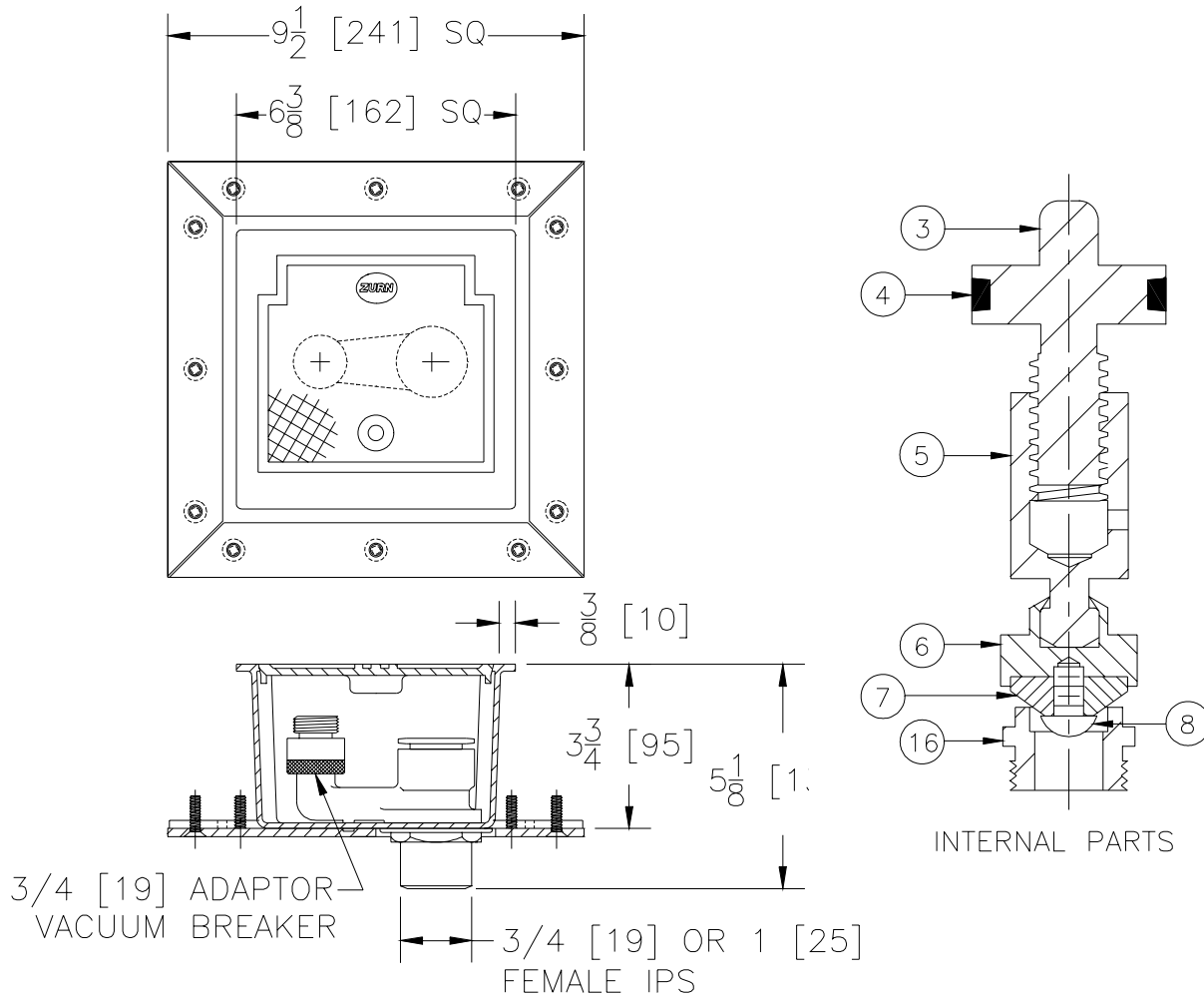


**Z-1375-84 GROUND HYDRANT**  
**Encased, Moderate Climate,**  
**Interior Use**

SPECIFICATION SHEET

TAG \_\_\_\_\_

Dimensional Data (inches and [ mm ]) are Subject to Manufacturing Tolerances and Change Without Notice



Approx. Wt. Lbs.	<b>ENGINEERING SPECIFICATION:</b> ZURN Z-1375-84 Encased, moderate climate ground hydrant with flashing flange with clamping collar, for flush with grade or finished (non-traffic) floor installation. Complete with all bronze interior parts, replaceable bronze seat and seat washer, non-turning operating coupling with free-floating compression closure valve and 3/4" adapter vacuum breaker. D.C.C.I. box and scoriated hinged cover.
11	

**OPTIONS** (Check/specify appropriate options)

**SUFFIXES**

- \_\_\_\_\_ -HD Heavy Duty Cover
- \_\_\_\_\_ -RK Hydrant Parts Repair Kit
- \_\_\_\_\_ -6 Polished Bronze Box
- \_\_\_\_\_ -7 Plain Bronze Box
- \_\_\_\_\_ -10 Polished Nickel Bronze Box
- \_\_\_\_\_ -17 1/4" Drain Port in Box

**PARTS LIST**

Item	Name	Quan.
3	Operating Screw	1
4	O-Ring	1
5	Operating Coupling	1
6	Washer Guide	1
7	Washer	1
8	Screw	1
16	Removable Seat	1

REV.	DATE: 11/5/98	C.N. NO. 81535
DWG. NO. P-14681 PRODUCT NO. Z-1375-84		