



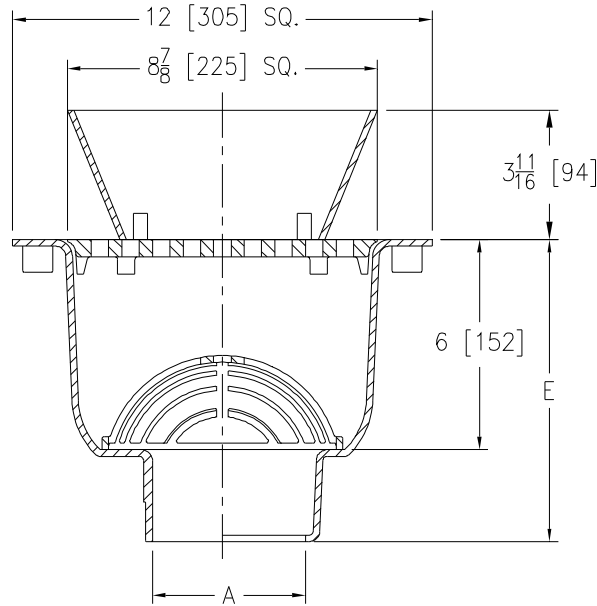
# Z1900-8

12 x 12 [305 x 305] A.R.E. SANI-FLORECEPTOR 6 [152]  
 SUMP DEPTH W/ 8-7/8 X 3-5/8 X 3-3/4 [225 X 92 X 95] HIGH  
 OVAL FUNNEL

SPECIFICATION SHEET

TAG \_\_\_\_\_

Dimensional Data (inches and [ mm ]) are Subject to Manufacturing Tolerances and Change Without Notice



A Pipe Size In. [mm]	Approx Wt. Lbs.[kg]	Grate Open Area Sq. In. [cm <sup>2</sup> ]
2,3,4 [51,76,102]	32 [15]	31 [200]

**ENGINEERING SPECIFICATION: ZURN Z1900-8**

Sani-Flor Receptor 12" x 12" x 6" [305mm x 305 mm x 152mm] deep cast iron body and light-duty grate with 8-7/8" x 3-5/8" x 3-3/4" [225mm x 92mm x 95mm] high oval funnel, with white acid resisting porcelain enamel interior and top, black ground enamel exterior coating, and white ABS anti-splash interior bottom dome strainer.

**OPTIONS** (Check/specify appropriate options)

**PIPE SIZE**

- 3,4 [76,102]
- 2,3,4 [51,76,102]
- 2,3,4 [51,76,102]

(Specify size/type) **OUTLET**

- \_\_\_ IC Inside Caulk
- \_\_\_ NH No-Hub
- \_\_\_ NL Neo-Loc

**'E' BODY HT. DIMENSION**

Z	ZN / ZS
8-5/8 [219]	9-1/8 [232]
8-5/8 [219]	9-1/8 [232]
8 [203]	8-1/2 [216]

**PREFIXES**

- \_\_\_ Z Cast Iron Body with White A.R.E. Interior\*
- \_\_\_ ZN Cast Iron Body with White A.R.E. Interior, 12-1/2 [317] Square Nickel Bronze Frame and Full Grate with 1/2 [13] Openings
- \_\_\_ ZS Cast Iron Body with White A.R.E. Interior, 12-1/2 [317] Square Stainless Steel Frame and Full Grate with 1/2 [13] Openings

**SUFFIXES**

- |   |   |
|---|---|
| ___ -DX Dex-O-Tex Flange (ZN Only)  | ___ -SA Stabilizer Assembly (See Z1903)                                   |
| ___ -HD Stainless Steel Frame w/ Extra Heavy-Duty Stainless Steel Grate (ZS Only) | ___ -TC Neo-Loc Test Cap Gasket (2,3,4 [51,76,102] NL Bottom Outlet Only) |
| ___ -HP Heel-Proof Grate (ZN Only)  | ___ -VPS Vandal-Proof Strainer  |
| ___ -K Anchor Flange with Seepage Holes   | ___ -11 Vandal-Proof Secured Grate (ZN and ZS Only)                       |
| ___ -KC Anchor Flange with Seepage Holes and Clamp Collar                         | ___ -23 Aluminum Bucket   |
| ___ -LD (Less) Bottom Dome Strainer   | ___ -25 White A.R.C. Bucket   |
| ___ -P 1/2 [13] Trap Primer Connection (See Z1023)                                | ___ -31 Stainless Steel Mesh Liner for Bucket                             |
|   | ___ -32 Aluminum Dome Strainer  |
|   | ___ -33 White A.R.C. Anti-Splash Bottom Dome Strainer                     |

\* Regularly furnished unless otherwise specified.