

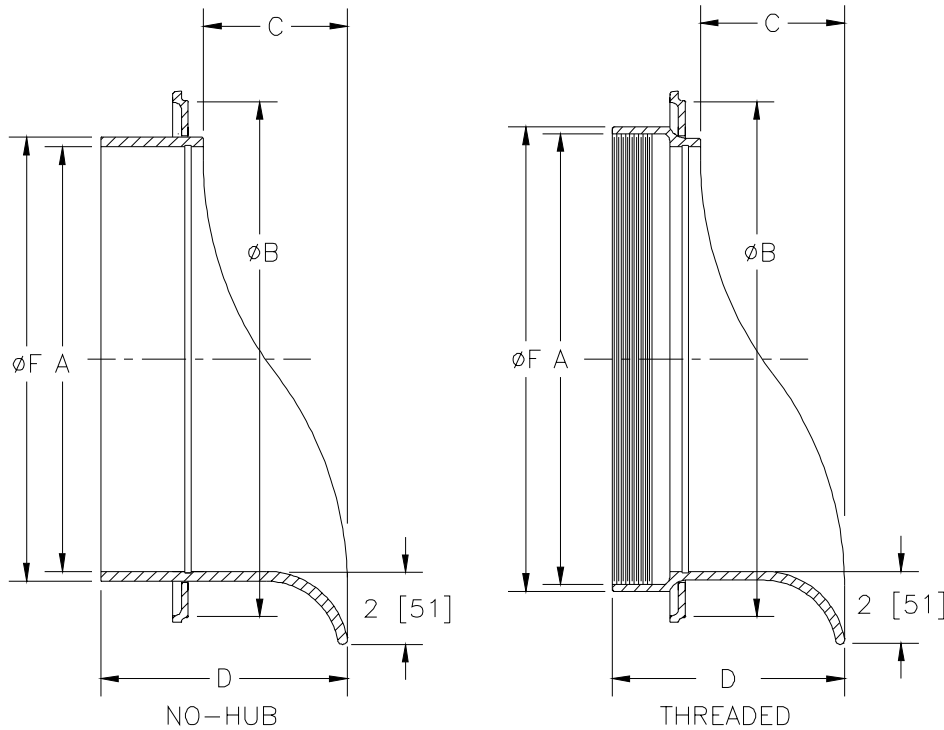


# Z199-84 DOWNSPOUT NOZZLE

SPECIFICATION SHEET

TAG \_\_\_\_\_

Dimensional Data (inches and [ mm ]) are Subject to Manufacturing Tolerances and Change Without Notice



A Pipe Size Size	Dimensions in inches [mm]						Approx. Wt. Lbs. [kg]
	B	C	D		F		
			IP	NH	IP	NH	
2 [51]	4 1/2 [114]	3 1/2 [89]	5 1/2 [140]	5 3/8 [137]	3 [76]	2 3/8 [60]	5 [2]
3 [76]	5 1/2 [140]	3 1/2 [89]	5 1/2 [140]	5 3/8 [137]	4 [102]	3 3/8 [86]	6 [3]
4 [102]	6 5/8 [168]	3 1/2 [89]	5 1/2 [140]	5 1/2 [140]	5 [127]	4 3/8 [111]	7 [3]
5 [127]	7 5/8 [194]	3 1/2 [89]	5 1/2 [140]	5 3/4 [146]	6 1/8 [156]	5 5/16 [135]	12 [5]
6 [152]	8 5/8 [219]	3 1/2 [89]	5 1/2 [140]	5 3/4 [146]	7 1/8 [151]	6 5/16 [160]	13 [6]
8 [203]	10 5/8 [270]	3 [76]	5 1/2 [140]	6 1/4 [159]	9 1/8 [232]	8 3/8 [213]	14 [6]
10 [254]	12 5/8 [321]	3 1/2 [89]	6 [152]	6 7/16 [164]	11 1/8 [283]	10 9/16 [268]	15 [7]
12 [305]	14 5/8 [371]	4 1/16 [103]	6 9/16 [167]	7 [178]	13 1/8 [333]	12 9/16 [319]	18 [8]

**ENGINEERING SPECIFICATION:** ZURN ZANB199-84 Downspout Nozzle, All nickel bronze body, optional threaded or no-hub inlet with decorative face wall flange and outlet nozzle. Wall flange provided without mounting tabs for use with structural adhesive.

**OPTIONS** (Check/specify appropriate options)

**PIPE SIZE**

(Specify size/type) **OUTLET**

2 thru 6, 8, 10, 12 [51 thru 152, 203, 254,305]    \_\_\_ IP    Threaded  
 2 thru 6, 8, 10, 12 [51 thru 152, 203, 254,305]    \_\_\_ NH    No-Hub

**PREFIXES**

- \_\_\_ ZANB    All Nickel Bronze Body\*
- \_\_\_ ZAB    All Polished Bronze Body
- \_\_\_ ZARB    All Plain Bronze Body

**SUFFIXES**

- \_\_\_ -SS    Removable Stainless Screen

REV.	DATE: 1/6/06	C.N. NO. 94439
DWG. NO. P-15235    PRODUCT NO. Z199-84		

\*REGULARLY FURNISHED UNLESS OTHERWISE SPECIFIED