



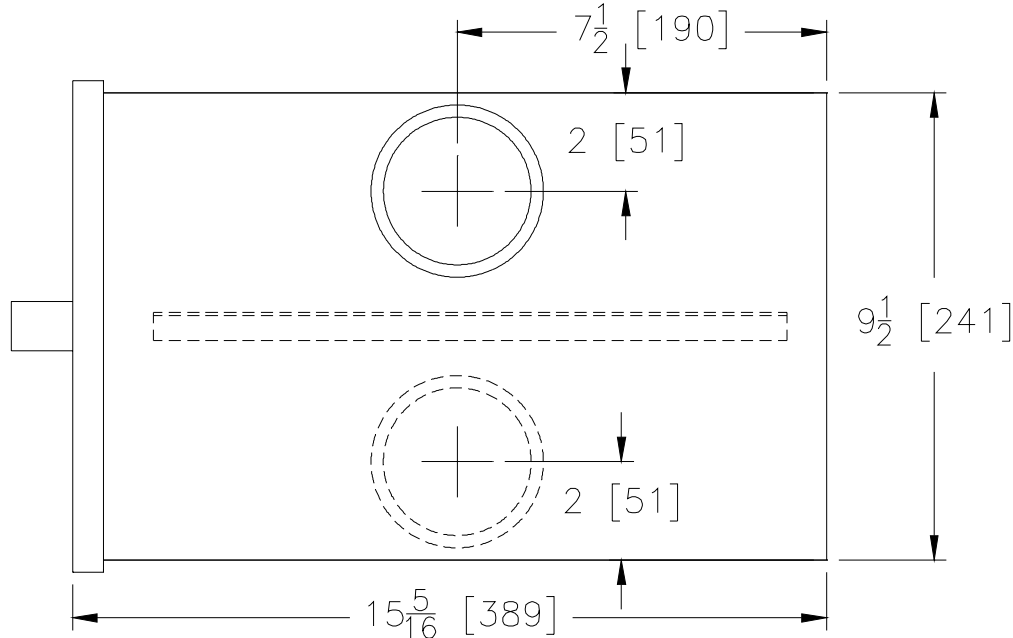
Z1182-75

SIDE ACCESS SOLIDS INTERCEPTOR WITH 3" INLET / OUTLET

SPECIFICATION SHEET

TAG _____

Dimensional Data (inches and [mm]) are Subject to Manufacturing Tolerances and Change Without Notice



WIDTH = $11\frac{1}{2}$ [292]

Inlet/Outlet Inches	Flow Rate GPM [L]
3 [76]	35 [132]

ENGINEERING SPECIFICATION: ZURN Z1182-75 Side access Acid Resistant Coated Steel solids interceptor for suspended or under sink installations where there are height restrictions for a top removal solids interceptor. Furnished with removable sediment basket attached to a removable, gasketed, latched lid. Unit has a high inlet and a low outlet.

OPTIONS (Check/specify appropriate options)

PREFIXES

___ Z Acid Resistant Coated Steel*

SUFFIXES

___ -YR Replacement Stainless Steel Basket Assembly

REV.	DATE: 11/22/04	C.N. NO. 92746	
DWG. NO. P-15102		PRODUCT NO. Z1182-75	

*REGULARLY FURNISHED UNLESS OTHERWISE SPECIFIED