



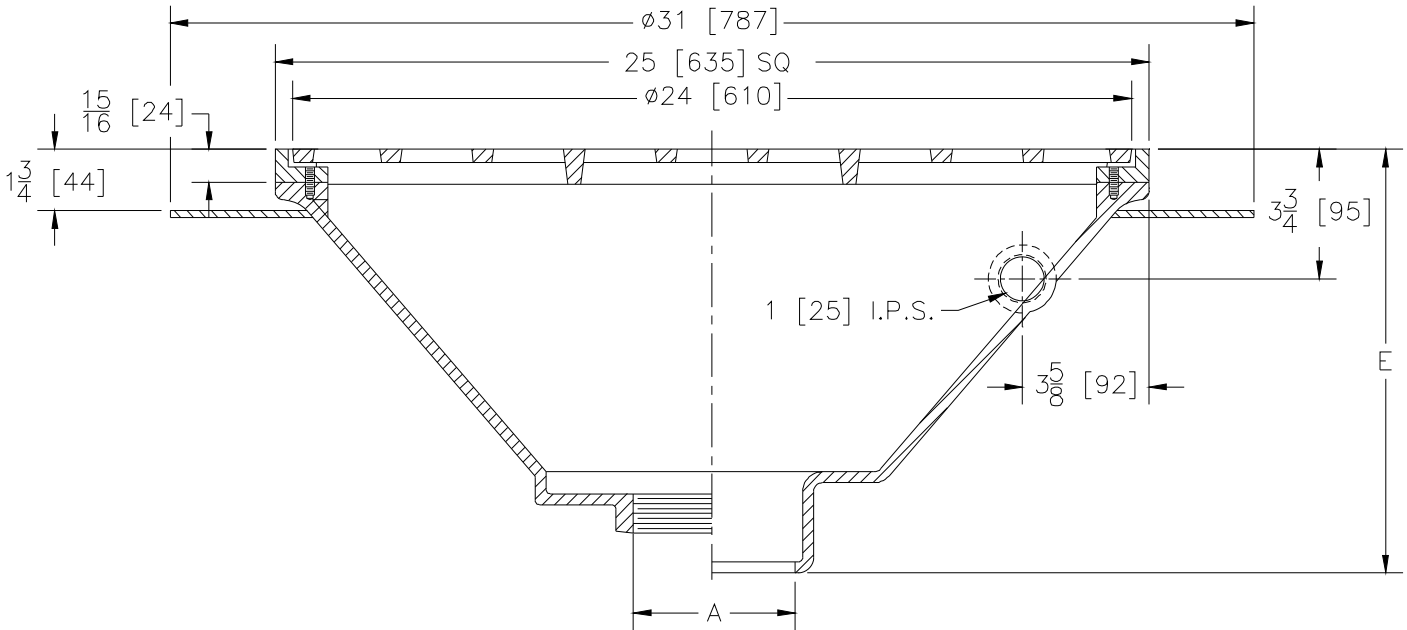
# Z319-81

## THOROFLUSH DRAIN LARGE CAPACITY W/ ANCHOR FLANGE

SPECIFICATION SHEET

TAG \_\_\_\_\_

Dimensional Data (inches and [ mm ]) are Subject to Manufacturing Tolerances and Change Without Notice



A-Pipe Size Inches	Approx. Wt. Lbs. [kg]	Grate Open Area Sq. In. [cm <sup>2</sup> ]
3-4-5-6-8 [76-102-127-152-203]	118 [54]	232 [1497]

**ENGINEERING SPECIFICATION: ZURN ZN319-81**  
 25" [635] Large Capacity Thoroflush Drain, cast iron body with white acid resistant coating, bottom outlet, anchor flange, and nickel bronze top frame and grate with flushing connection body.

**OPTIONS** (Check/specify appropriate options)

**PIPE SIZE**

- 3 thru 6-8 [76 thru 152-203]
- 3-4-6 [76-102-152]
- 3 thru 6-8 [76 thru 152-203]

(Specify size/type) **OUTLET**

- \_\_\_\_\_ IC Inside Caulk
- \_\_\_\_\_ IG Inside Caulk w/Sealtrol Gskt.
- \_\_\_\_\_ IP Threaded

**'E' BODY HT. DIM.**

- 12 1/8 [308]
- 12 1/8 [308]
- 11 [279]

**PREFIXES**

- \_\_\_\_\_ ZB Cast Iron Body w/Acid Resistant Coating and Polished Bronze Top
- \_\_\_\_\_ ZN Cast Iron Body w/Acid Resistant Coating and Polished Nickel Bronze Top\*

**SUFFIXES**

- \_\_\_\_\_ -DC Dura-Coated Interior
- \_\_\_\_\_ -G Galvanized Cast Iron
- \_\_\_\_\_ -P Trap Primer Connection
- \_\_\_\_\_ -V Backwater Valve (See Z1099)
- \_\_\_\_\_ -VP Vandal-Proof Secured Top
- \_\_\_\_\_ -WB Water Supply Control Box (See Z1464)

REV. A	DATE: 11/14/07	C.N. NO. 97700
DWG. NO. P-15133 PRODUCT NO. Z319-81		

\*REGULARLY FURNISHED UNLESS OTHERWISE SPECIFIED