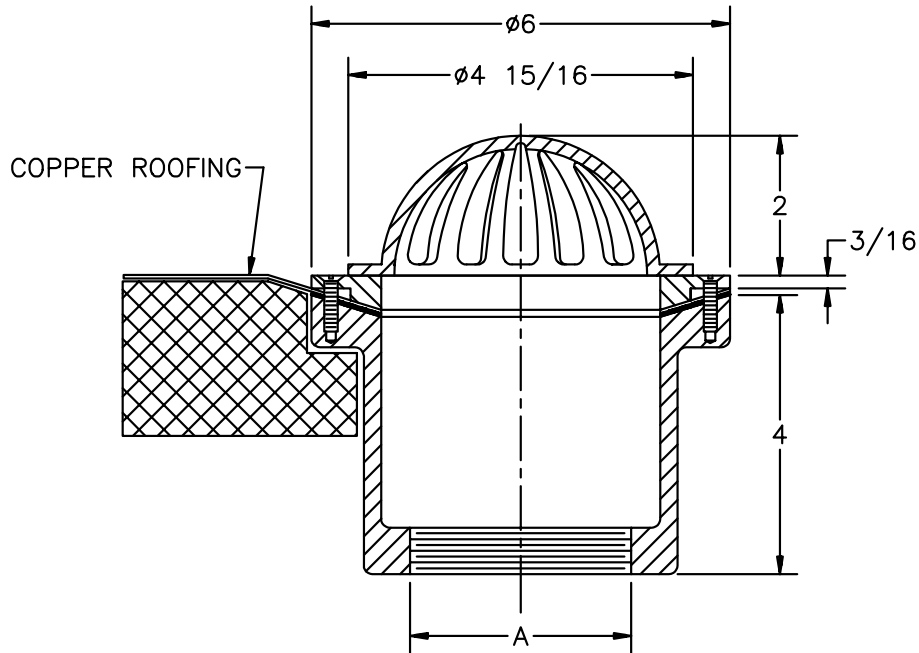




Z-181-78 6" DIAMETER CORNICE DRAIN BOTTOM OUTLET

TAG _____

Dimensions Subject to Manufacturing Tolerances



A- Pipe Size In.	Approx. Wt. Lbs.	Dome Open Area Sq. In.
3	7	12
4	8	

ENGINEERING SPECIFICATION: ZURN ZRB-181-78 6" Diameter by 4" High Cornice drain, Dura-Coated cast iron body, plain bronze dome and membrane flashing clamp with rubber gasket for copper roofing.

OPTIONS (Check/specify appropriate options)

OUTLET (Specify type)

- _____ **IP** Threaded
- _____ **NH** No-Hub

PIPE SIZE (Specify size)

- _____ 3", 4"
- _____ (IP w/Z-1040)

PREFIXES

- _____ **ZRB-** D.C.C.I. Body with Plain Bronze Dome*
- _____ **ZB-** D.C.C.I. Body with Polished Bronze Dome
- _____ **ZN-** D.C.C.I. Body with Polished Nickel Bronze Dome

SUFFIXES

- _____ **-BS** Bronze Mesh Screen Over Dome
- _____ **-FS** Flat Strainer (ZB or ZN)
- _____ **-G** Galvanized Cast Iron
- _____ **-HD** 5-3/4" High Dome
- _____ **-VP** Vandal Proof Secured Top
- _____ **-8** With 8" High Body

REV. _____ DATE: 4/20/94 C.N. NO. 69682

DWG. NO. P-13974 PRODUCT NO. Z-181-78

*REGULARLY FURNISHED UNLESS OTHERWISE SPECIFIED

ZURN INDUSTRIES, INC. ♦ SPECIFICATION DRAINAGE OPERATION ♦ 1801 Pittsburgh Ave. ♦ Erie, PA 16514

Phone: 814/455-0921 ♦ Fax: 814/454-7929 ♦ World Wide Web: www.zurn.com

In Canada: ZURN INDUSTRIES LIMITED ♦ 3544 Nashua Drive ♦ Mississauga, Ontario L4V1L2 ♦ Phone: 905/405-8272 Fax: 905/405-1292