

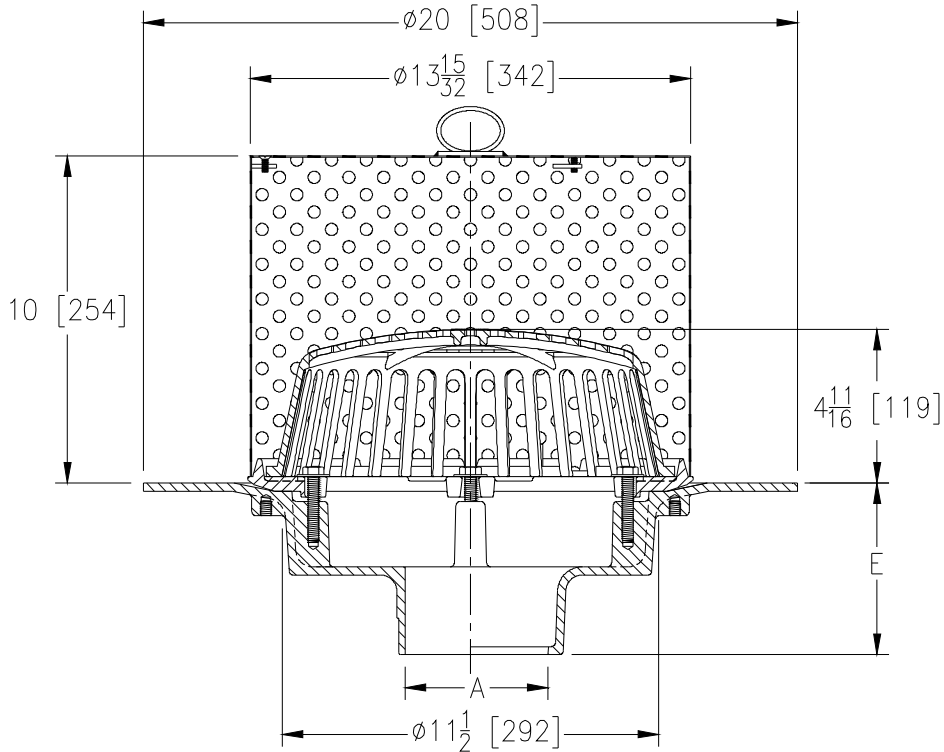


Z107-98

20 [508] DIAMETER WIDE DECK FLANGE ROOF DRAIN
W/ COVERED PERFORATED GRAVEL GUARD AND LIFT RING

TAG _____

Dimensional Data (inches and [mm]) are Subject to Manufacturing Tolerances and Change Without Notice



A Pipe Size In.	Approx. Wt. Lbs. [kg]	Dome Open Area Sq. In. [cm ²]
3-4 [76-102]	44 [20]	103 [665]
6-8 [152-203]	47 [21]	

ENGINEERING SPECIFICATION: ZURN Z107-98

20 [508] Diameter wide deck flange roof drain. Dura-Coated cast iron body with combination membrane flashing clamp/gravel guard, covered perforated stainless steel gravel guard with lift ring and low silhouette Poly-Dome strainer.

OPTIONS (Check/specify appropriate options)

PIPE SIZE

- 3,4,6 [76,102,152]
- 3,4,6,8 [76,102,152,203]

(Specify size/type) **OUTLET**

- _____ IC Inside Caulk
- _____ NH No-Hub

E BODY HT. DIM.

- 5 1/4 [133]
- 5 1/4 [133]

PREFIXES

- _____ Z D.C.C.I. Body with Poly-Dome*
- _____ ZA D.C.C.I. Body with Aluminum Dome
- _____ ZC D.C.C.I. Body with Cast Iron Dome
- _____ ZRB D.C.C.I. Body with Plain Bronze Dome

SUFFIXES

- | | |
|--|--|
| _____ -AC Angular Underdeck Clamp | _____ -VP Vandal-Proof Secured Top |
| _____ -AR Acid Resistant Epoxy Coated | _____ -W2 2 [51] Internal Water Dam |
| _____ -C Underdeck Clamp | _____ -W3 3 [76] Internal Water Dam |
| _____ -E Static Extension 1 [25] thru 4 [102] (Specify Ht.) | _____ -W4 4 [102] Internal Water Dam |
| _____ -EA Adjustable Extension Assembly
2 1/8 [54] thru 3 1/2 [89] | _____ -XJ Vertical Expansion Joint (See Z190) |
| _____ -FG Flush Grate (Replaces Dome Strainer) | _____ -85 Stainless Steel Perforated Extension |
| _____ -G Galvanized Cast Iron | _____ -89 2 [51] High External Water Dam |
| _____ -GD Galvanized Cast Iron Dome (ZC only) | |
| _____ -HD 6 3/4 [171] High Aluminum Dome
(148 sq. in. [955 cm ²] open area) | |

REV. A	DATE: 10/28/09	C.N. NO. 110370
DWG. NO. P-15431 PRODUCT NO. Z107-98		

*REGULARLY FURNISHED UNLESS OTHERWISE SPECIFIED