



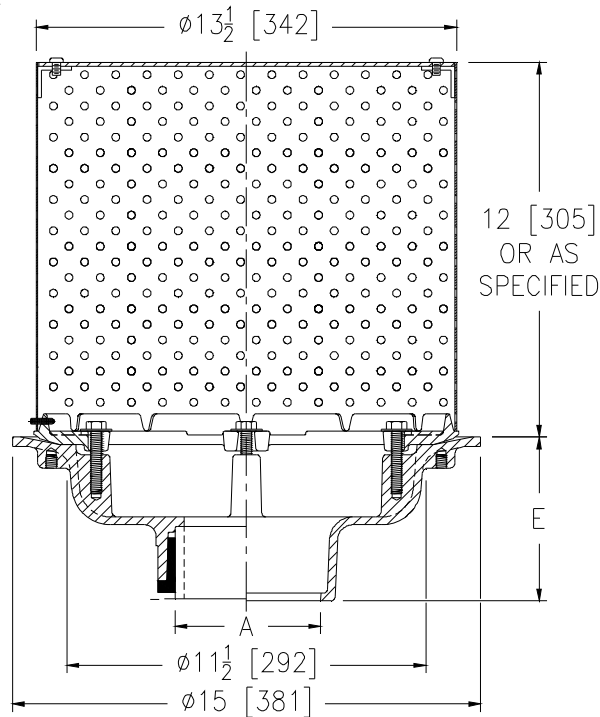
# Z100-254

SPECIFICATION SHEET

## Ø15 [381] ROOF DRAIN W/ PERFORATED GRAVEL GUARD & SOLID COVER

TAG \_\_\_\_\_

Dimensional Data (inches and [mm]) are Subject to Manufacturing Tolerances and Change Without Notice



A Pipe Size	Approx. Wt. Lbs. [kg]
2,3,4 [51,76,102]	32 [15]
5,6 [127,152]	33 [15]

### ENGINEERING SPECIFICATION: ZURN Z100-254

15 [381] Diameter cast iron roof drain with stainless steel combination gravel guard/flashing clamp and perforated stainless steel gravel guard with solid cover.

### OPTIONS (Check/specify appropriate options)

#### PIPE SIZE

2 thru 6 [51 thru 152]  
2 thru 6 [51 thru 152]  
2 thru 6 [51 thru 152]  
2,3,4 [51,76,102]

#### (Specify size/type) OUTLET

\_\_\_\_ IC Inside Caulk  
\_\_\_\_ IP Threaded  
\_\_\_\_ NH No-Hub  
\_\_\_\_ NL Neo-Loc

#### E BODY HT. DIM.

5-1/4 [133]  
3-3/4 [95]  
5-1/4 [133]  
4-9/16 [116]

#### PREFIXES

\_\_\_\_ Z D.C.C.I. Body with Stainless Steel Clamp Collar\*

#### SUFFIXES

____ -AC	Angular Underdeck Clamp	____ -R	Roof Sump Receiver
____ -AR	Acid Resistant Epoxy Coated	____ -TC	Neo-Loc Test Cap Gasket (2 - 4 [51 - 102] NL Bottom Outlet Only)
____ -C	Underdeck Clamp	____ -VP	Vandal-Proof Secured Top
____ -DE	Deck Extension	____ -90	90° Threaded Side Outlet Body (2 thru 6 [51 or 152])
____ -DP	Top-Set® Deck Plate (Replaces both the -C and -R)		
____ -DR	Top-Set® Drain Riser		
____ -E	Static Extension 1 [25] thru 4 [102] (Specify Ht.)		
____ -EA	Adjustable Extension Assembly 2-1/8 [54] thru 3-1/2 [89]		
____ -EB	Top-Set® Adjustable Extension Assembly		
____ -G	Galvanized Cast Iron		

\*REGULARLY FURNISHED UNLESS OTHERWISE SPECIFIED

REV. DATE: 07/18/12 C.N. NO. 124575

DWG. NO. 310115 PRODUCT NO. Z100-254

ZURN INDUSTRIES, LLC ♦ SPECIFICATION DRAINAGE OPERATION ♦ 1801 Pittsburgh Ave. ♦ Erie, PA 16514

Phone: 814/455-0921 ♦ Fax: 814/454-7929 ♦ World Wide Web: www.zurn.com

In Canada: ZURN INDUSTRIES LIMITED ♦ 3544 Nashua Drive ♦ Mississauga, Ontario L4V1L2 ♦ Phone: 905/405-8272 Fax: 905/405-1292