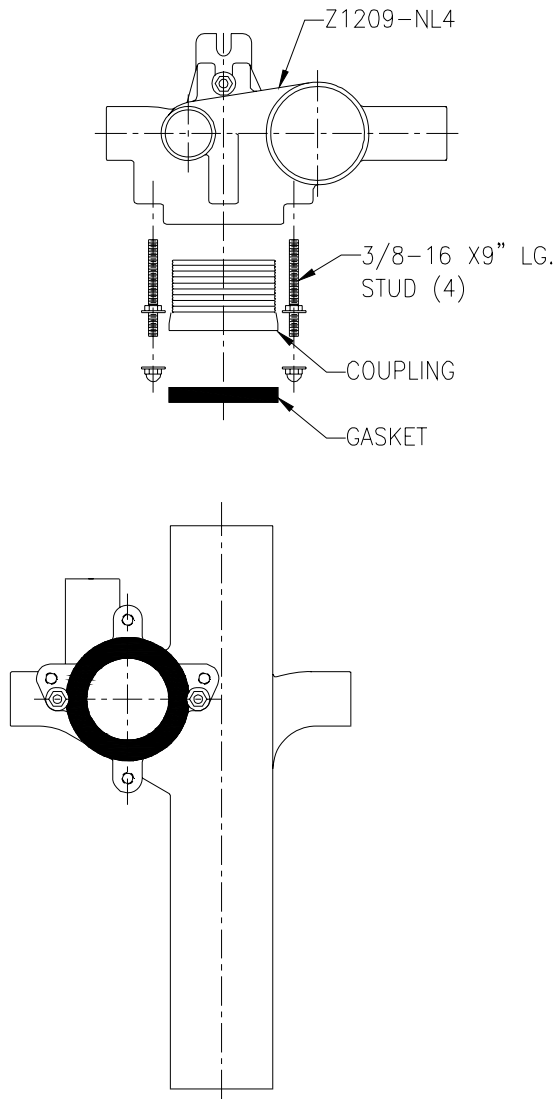




# Z1209-91 INSTALLATION INSTRUCTIONS

## Z1209-91 Assembly



- 1 Identify the major parts of the carrier system in the assembly drawing.
- 2 Adjust the closet outlet to desired closet height, move into position, level, and align the carrier. Check to be sure closet outlets are in the correct position and true. Connect fitting to sanitary piping to secure fitting in place.
- 3 (Omit this step when installing double carrier)  
At this point, install the Z1210-66 stabilizer assembly. To assemble, screw stud into cast foot and secure with locknut, attach top of stud to anchoring lug on backside of carrier using locknuts and washers, then securely fasten cast foot to floor using 1/2 [13] bolts (supplied by others).
- 4 Thread 3/8-16 x9 fixture studs into appropriate holes in face of fitting.
- 5 At this point the coupling should be installed. Wipe O-ring seal recess in fitting clean. Lubricate the O-ring using one half of the given lubricant and insert the O-ring in to the fitting recess. Place the remainder of the lubricant on the lead threads of the coupling. Screw adjustable coupling into fitting until it meets O-ring, recognizable by the feel of resistance to the turning motion. Then use coupling wrench to turn the coupling into the O-ring, thus obtaining a water tight seal, continue adjustment to locate face of coupling as instructed in #7, being certain that coupling is fully engaged with O-ring at final positioning.  
  
It is recommended that a sleeve be placed around the coupling. Should further adjustments be anticipated, as this will keep mortar from locking coupling in wall, thus allowing coupling to be turned from front side of wall. If the installation requires a shorter coupling than provided, the excess length should be cut off from the threaded end.
- 6 After the wall finish is completed, place backup nut and washer on each stud per dimension X shown in #7. Due to variation in gasket recesses and thicknesses of flanges on various fixtures, it is important to recheck all coupling and stud dimensional data shown in #7. (If studs are too long, they will bottom in cap nut before closet has been drawn up sufficiently to compress gasket. Coupling should extend far enough beyond finished wall so that gasket will compress properly in gasket recess to provide a leak proof seal when cap nuts are installed). Remove Neo-seal gasket from container and install in strict accordance with installation instructions therein. Place closet in position on the fixture studs and tighten securely to complete the installation. Be sure all bearing washers are located in same plane so that they all contact the closet.



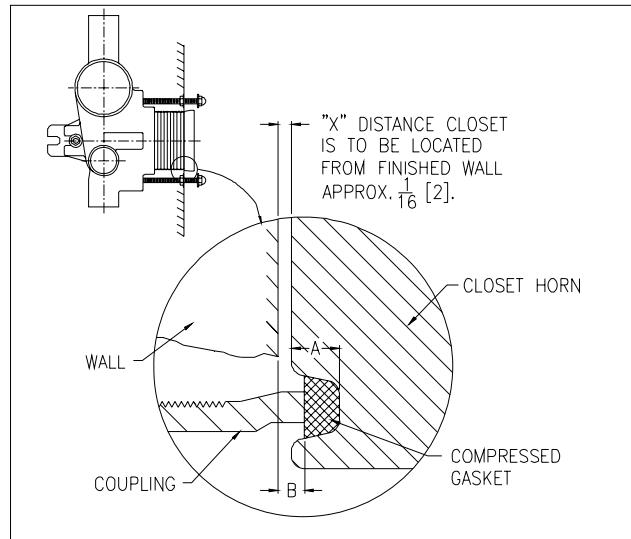
# Z1209-91 INSTALLATION INSTRUCTIONS

**7** Enlarged illustration shows depth of gasket recess in fixture and coupling with normal pressure on gasket. To insure a tight seal at the outlet of a closet with a rectangular groove the front end of the coupling should be located to compress the gasket adequately when the fixture is in the desired location. This dimension will vary depending on depth of recess, (Dim. A) in closet. The following formula may be used to determine the amount the coupling should extend (Dim B) in front of finished wall.

Let A = depth of recess in closet  
X = distance closet is to be located from finished wall.  
B = distance coupling should extend in front of finished wall.  
Thus,  $A + X - 1/2 [13] = B$

With fixtures having "V" shaped grooves, coupling may have to extend an additional 1/8 [3] or more. With any closet, the coupling must compress the gasket enough so the adhesive coated surfaces are in good contact with the china and the face of the coupling.

**IMPORTANT:** Bearing nuts and washers must be located properly to establish and maintain dimension X.



## Distance for Fixture Bolts Located in Front of Wall

To locate fixture bolts:

Let T = thickness of wall flange of closet  
X = distance closet is to be located from finished wall  
B = distance fixture studs should extend in front of finished wall.  
Thus,  $T + X + 5/8 [16] = B$

**8** When installed correctly, fixture will be supported by Zurn Systems only, it will not touch the wall at any point.

**IMPORTANT:** When coupling with "Integral Test Cap" is utilized, Integral Test Cap must be removed prior to mounting water closet on studs and coupling for final assembly.