

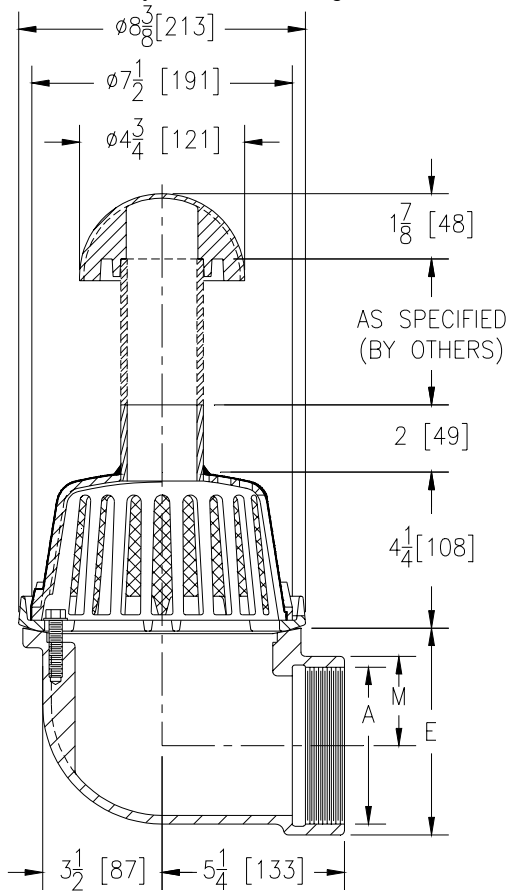


Z-125-99
8 [203] LATERAL ROOF DRAIN
LOW SILHOUETTE DOME W/TYPE 'P' TOP

SPECIFICATION SHEET

TAG _____

Dimensional Data (inches and [mm]) are Subject to Manufacturing Tolerances and Change Without Notice



Dimensions In Inches		Approx. Wt. Lbs. [kg]	Dome Open Area Sq. In [sq. cm]
A Pipe Size	M		
2 [50]	4 7/16 [114]	35 [16]	42 [271]
3 [75]	3 7/8 [102]		
4 [100]	3 3/8 [86]		

ENGINEERING SPECIFICATION: ZURN Z-125-99
 8 [203] Diameter lateral roof drain, Dura-Coated cast iron body with combination membrane flashing clamp/gravel guard and low silhouette cast bronze dome with stainless steel mesh screen and brass overflow strainer with dome top.

OPTIONS (Check/specify appropriate options)

PIPE SIZE _____ (Specify size/type) OUTLET _____ IP Threaded E BODY HT. DIM. 5 15/16 [151]

PREFIXES

_____ ZRB- D.C.C.I. Body with Plain Bronze Dome*

SUFFIXES

- | | |
|--|--|
| <ul style="list-style-type: none"> _____ -AR Acid Resistant Epoxy Coated _____ -BS Bronze Mesh Screen Over Dome _____ -C Underdeck Clamp _____ -E Static Extension 1" thru 4" (Specify Height) _____ -ES Static Extension with Secondary Clamp Collar at Body (for clamping at roof drain body) _____ -G Galvanized Cast Iron _____ -R Roof Sump Receiver _____ -SC Secondary Clamp Collar | <ul style="list-style-type: none"> _____ -VP Vandal Proof Secured Dome _____ -84 Stainless Steel Perforated Gravel Guard _____ -85 Stainless Steel Perforated Extension |
|--|--|

*REGULARLY FURNISHED UNLESS OTHERWISE SPECIFIED

REV.	DATE: 7/29/02	C.N. NO. 89706
DWG. NO. P-14916 PRODUCT NO. Z-125-99		