

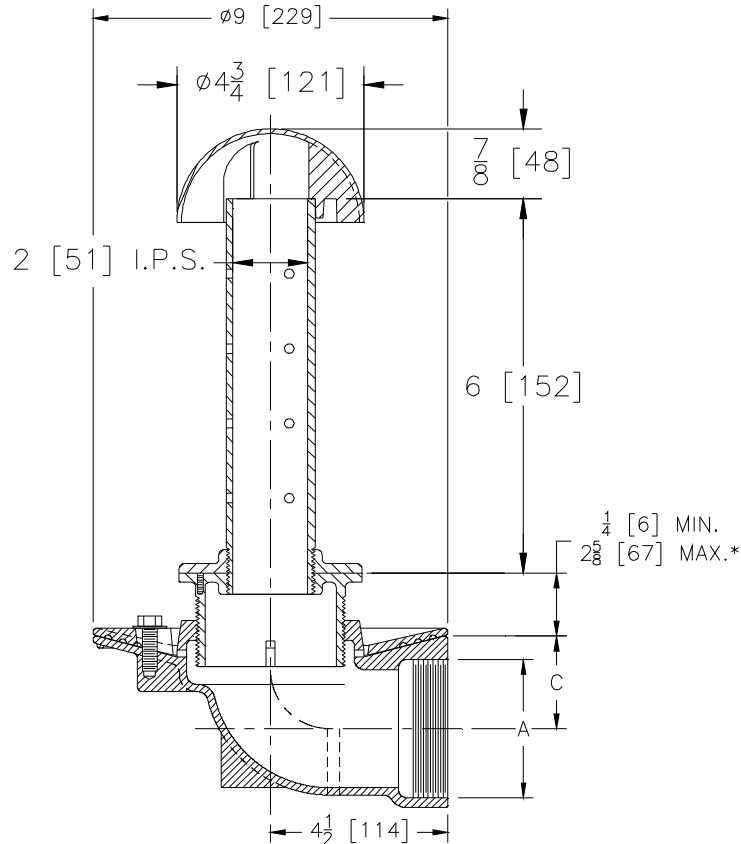
**Z350-90**

PLANTING AREA DRAIN W/ SIDE OUTLET

SPECIFICATION SHEET

TAG \_\_\_\_\_

Dimensional Data (inches and [ mm ]) are Subject to Manufacturing Tolerances and Change Without Notice



Dimensions in Inches [mm]		Approx. Wt. Lbs. [kg]
A Pipe Size	C	
1-1/2 [38]	3-1/2 [89]	22 [10]
2 [51]	3-1/4 [83]	24 [11]
3 [76]	2-3/4 [70]	25 [11]

**ENGINEERING SPECIFICATION: ZURN ZN350-90**

Planting area Drain, Dura-Coated cast iron body with side outlet and combination invertible membrane clamp, vertically adjustable nickel bronze head, floor flange, dome and 2 [51] diameter perforated stainless steel standpipe.

**OPTIONS** (Check/specify appropriate options)**PIPE SIZE**

1-1/2 [38]

2 [51]

3 [75]

(Specify size/type) **OUTLET**

\_\_\_\_ IP Threaded

\_\_\_\_ IP Threaded

\_\_\_\_ IP Threaded

**PREFIXES**

\_\_\_\_ ZB D.C.C.I Body w/ Polished Brass Standpipe

\_\_\_\_ ZN D.C.C.I Body w/ Polished Stainless Steel Standpipe\*

**SUFFIXES**

\_\_\_\_ -G Galvanized Cast Iron

\_\_\_\_ -PS Solid Standpipe

\_\_\_\_ -SD Longer Standpipe (Specify Height Required)

\_\_\_\_ -SS Stainless Steel Mesh Screen over Dome

\* Regularly furnished unless otherwise specified.