



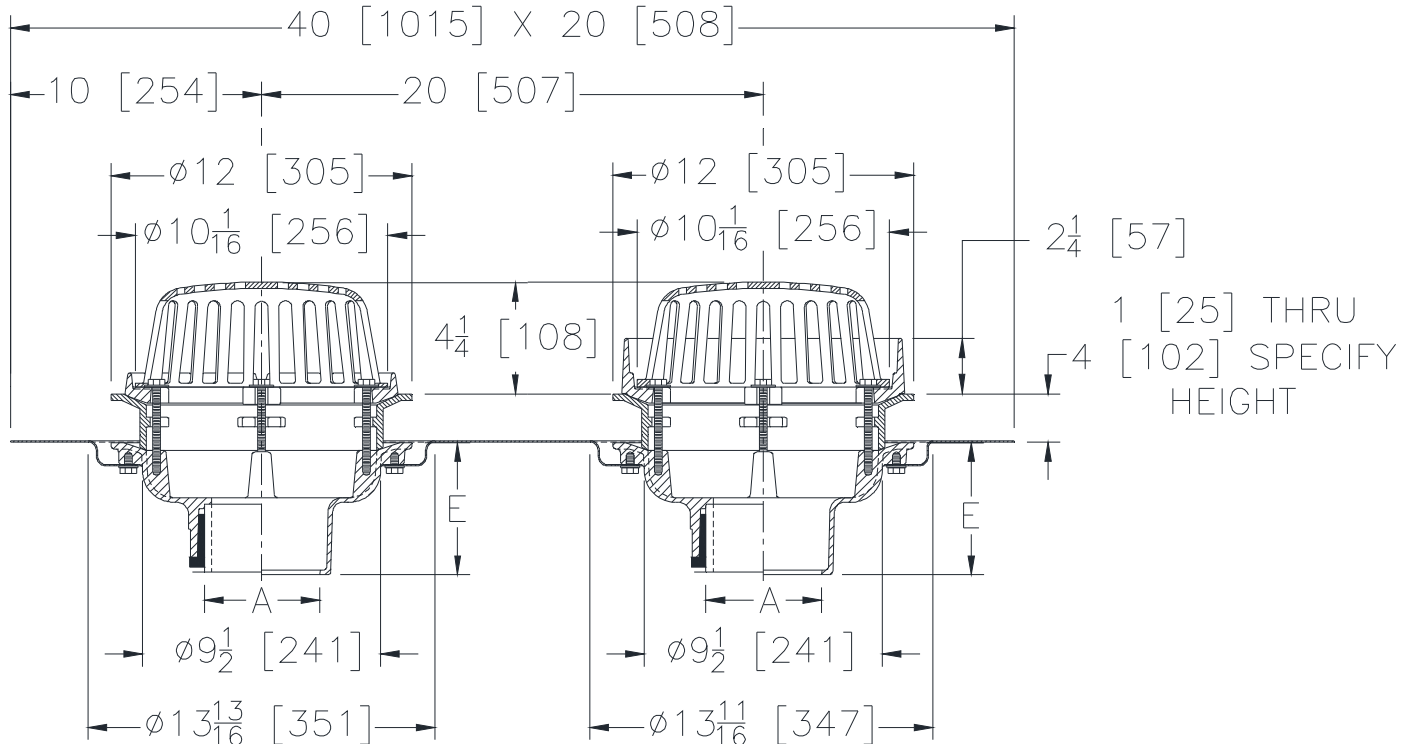
# Z164-E

12 [305] DIAMETER COMBINATION MAIN ROOF & OVER-FLOW DRAIN W/ LOW SILHOUETTE DOMES, STATIC EXTENSIONS & DOUBLE TOP SET® DECK PLATE

SPECIFICATION SHEET

TAG \_\_\_\_\_

Dimensional Data (inches and [ mm ]) are Subject to Manufacturing Tolerances and Change Without Notice



A Pipe Size In [mm]	Approx. Wt. Lbs. [kg]	Dome Open Area Sq. In. [cm <sup>2</sup> ]
2,3,4,6 [51,76,102,152]	70 [32]	78 [503]

### ENGINEERING SPECIFICATION: ZURN Z164-E

12" [305mm] Diameter roof drain and overflow drain, Dura-Coated cast iron bodies with combination membrane flashing clamp/ gravel guards, static extensions, double Top-Set® deck plate, and low silhouette cast iron domes.

### OPTIONS (Check/specify appropriate options)

#### PIPE SIZE

- 2,3,4,6 [51,76,102,152]
- 2,3,4,6 [51,76,102,152]
- 2,3,4,6 [51,76,102,152]
- 2,3,4 [51,76,102]

#### (Specify size/type) OUTLET

- \_\_\_\_\_ IC Inside Caulk
- \_\_\_\_\_ IP Threaded
- \_\_\_\_\_ NH No-Hub
- \_\_\_\_\_ NL Neo-Loc

#### E BODY HT. DIM.

- 5-1/4 [133]
- 3-3/4 [95]
- 5-1/4 [133]
- 4-5/8 [117]

#### PREFIXES

- \_\_\_\_\_ Z D.C.C.I. Body with Dome\*
- \_\_\_\_\_ ZA D.C.C.I. Body with Aluminum Dome

#### SUFFIXES

- \_\_\_\_\_ -AR Acid Resistant Epoxy Coated Finish
- \_\_\_\_\_ -G Galvanized Cast Iron
- \_\_\_\_\_ -SC Secondary Clamping Collar
- \_\_\_\_\_ -SS Stainless Steel Mesh Screen Over Dome
- \_\_\_\_\_ -TC Neo-Loc Test Cap Gasket  
(2,3,4 [51,76,102] NL Bottom Outlet Only)
- \_\_\_\_\_ -VP Vandal Proof Secured Top
- \_\_\_\_\_ -XJ Vertical Expansion Joint (See Z190)
- \_\_\_\_\_ -84 Stainless Steel Perforated Gravel Guard
- \_\_\_\_\_ -85 Stainless Steel Perforated Extension

\* Regularly furnished unless otherwise specified.