



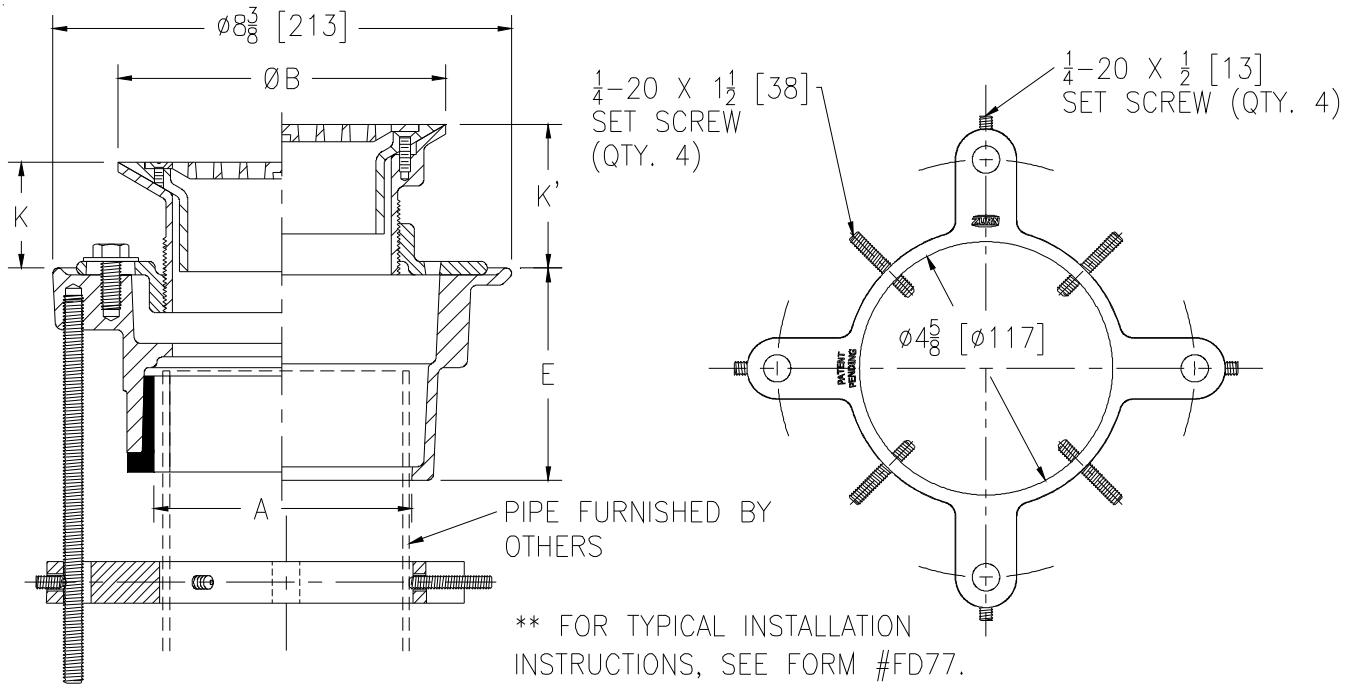
Z415H-SR

FLOOR AND SHOWER DRAIN
W/ "TYPE H" STRAINER AND STABILIZER RING

SPECIFICATION SHEET

TAG _____

Dimensional Data (inches and [mm]) are Subject to Manufacturing Tolerances and Change Without Notice



Dimensions in inches [mm]						Approx Wt. lbs [kg]	Strainer Open Area in ² [cm ²]
A Pipe Size	B Strainer Dia.	K		K'			
		Min	Max	Min	Max		
2,3,4 [51,76,102]	6 [152]	1-1/4 [32]	2-3/8 [60]	2-3/16 [56]	3-5/16 [84]	15 [7]	7 [45]
	9 [229]	1-11/16 [43]	2-5/8 [66]	2-7/16 [62]	3-9/16 [90]	22 [10]	18 [116]

ENGINEERING SPECIFICATION: ZURN ZN415H-SR

Floor and shower drain, Dura-Coated cast iron body with bottom outlet, combination invertible membrane clamp and adjustable collar with seepage slots and "TYPE H" polished nickel bronze, light-duty strainer with flashing clamp device for clamping at the finished floor level. Complete with Dura-Coated cast iron floor drain stabilizer ring with four 1/4-20 x 1/2" [13mm] securing screws to 3/8-16 x 7" [178mm] threaded rods and four 1/4-20 x 1-1/2" [38mm] securing screws to outlet piping.

OPTIONS (Check/specify appropriate options)

PIPE SIZE	(Specify size/type)	OUTLET	E BODY HT. DIM.
2 [51]	_____	IP Threaded	2-7/16 [62]
3 [76]	_____	IP Threaded	2-3/4 [70]
4 [102]	_____	IP Threaded	2-13/16 [71]
2,3,4 [51,76,102]	_____	NH No-Hub	3-13/16 [97]
2,3,4 [51,76,102]	_____	NL Neo-Loc	3-7/8 [98]

PREFIXES

- _____ ZB D.C.C.I. Body with Polished Bronze Top
- _____ ZN D.C.C.I. Body with Polished Nickel Bronze Top*

SUFFIXES

- _____ -AR Acid Resistant Epoxy Coated Cast Iron
- _____ -G Galvanized Cast Iron
- _____ -P Trap Primer Connection
- _____ -U 1 - 3 [25 - 76] High Extension Adapter
- _____ -V Backwater Valve
- _____ -VP Vandal Proof Secured Top
- _____ -Y Sediment Bucket

* Regularly furnished unless otherwise specified.